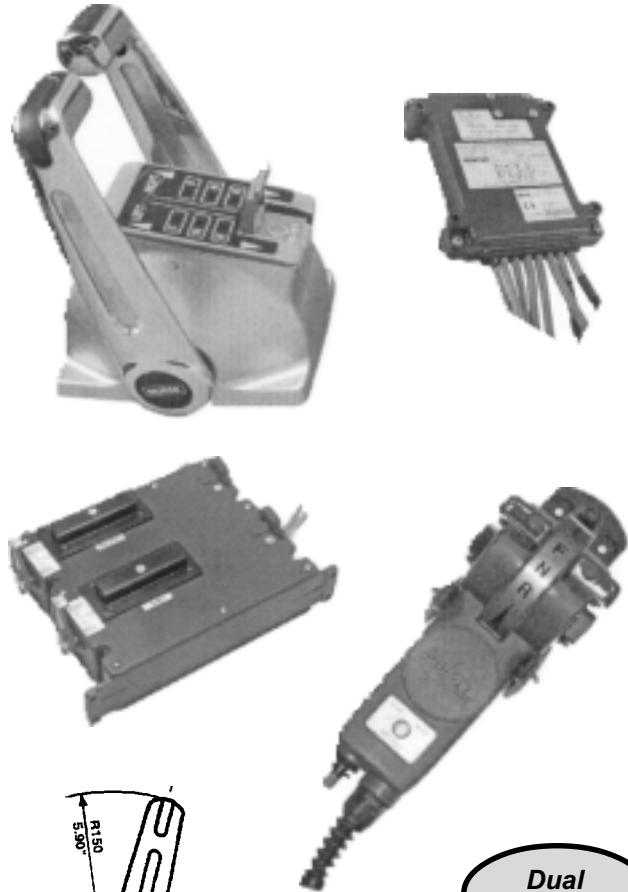


Morse KE-4 control

Features:

- Works with any engine: outboard, stern drive or inboard.
- Single or twin engine control; dual function for each lever.
- Up to 4 control heads.
- Optional hand-held remote control: great for docking!
- Built-in station selection switch.
- Engine Sync option available. (Throttle only.)
- Adjustable gear shift delay.
- Mechanical backup (easy to use "get home" system).
- Built-in overload protection & diagnostics.
- Visual failure alarm standard (audio alarm optional).
- Uses standard 33C type control cables on throttle/shift actuator.
- 12 and 24 volt capability.
- Meets/exceeds all applicable industry standards.

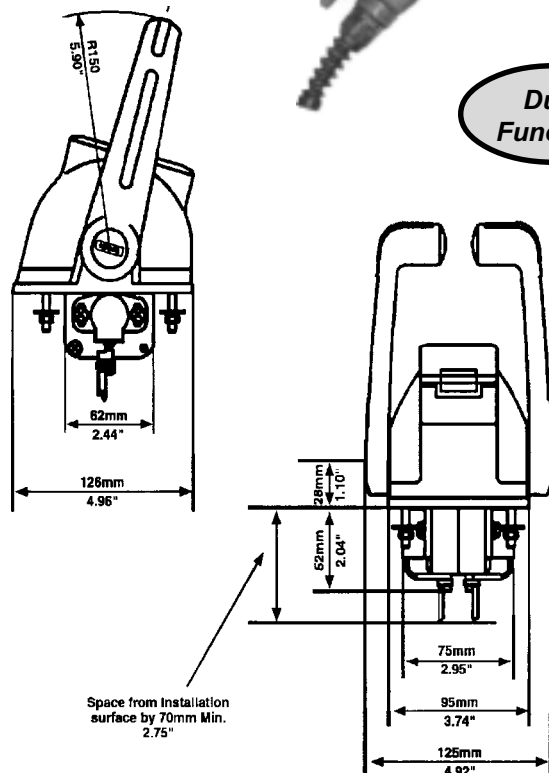


Dual Function

Applications:

Electronic stand-alone controls are ideal for larger, multi-station boats, especially those applications in which a mechanical control cannot deliver the desired feel and performance. For nearly all engine types.

The KE-4 set the standard for reliability in marine electronic controls. Its simplicity and proven design make it the choice for most multi-station/multi-engine control pleasure and work boats. KE-4 controls are available in either single or twin lever binnacle mount versions for single or multiple stations and up to two engines.



Morse KE-4 control

Engine Control Items:

CONTROL HEADS:

(Select one control per station.)

Single Lever-1 Engine(LH)-Gold	NM0511-00
Single Lever-1 Engine(RH)-Gold	NM0521-00
Single Lever-1 Engine(LH)-Chrome	NM0534-00
Single Lever-1 Engine(RH)-Chrome	NM0534-00
Single Lever-1 Engine(LH)-White	NM0537-00
Single Lever-1 Engine(RH)-White	NM0538-00
Single Lever-1 Engine(LH)-Black	NM0540-00
Single Lever-1 Engine(RH)-Black	NM0541-00
Twin Lever-2 Engines-Gold	NM0510-00
Twin Lever-2 Engines-Chrome	NM0533-00
Twin Lever-2 Engines-White	NM0536-00
Twin Lever-2 Engines-Black	NM0539-00

ELECTRONIC CONTROL UNIT (ECU):

(One required per engine; select based on onboard DC voltage.)

ECU-12 Volt DC	NM0477-00
ECU-24 Volt DC	NM0478-00

HARNESSES:

Remote Control Harness	NM0616-XX
<i>(XX = length in meters. Avail. 04-50 meters in 2M increments.)</i>	
Remote Control Harness 100M	NM0616-A0
<i>(One Remote Control Harness required per engine & station. A twin engine, twin station installation would require 4 RCHs.)</i>	
Comm Harness 5M (16.40 Feet)	NM0619-05
<i>(1 Comm harness required for twin engines.)</i>	
Power Harness 5M (16.40 Feet)	NM0414-28
Power Harness 10M (32.80 Feet)	NM0414-33
<i>(2 Power Harnesses required per engine.)</i>	

ACTUATOR:

(1 required per engine; controls both throttle and shift.)

Actuator-Throttle & Shift	NM0165-00
---------------------------------	-----------

ACTUATOR-ENGINE INTERFACE CABLES:

(Two cables required per actuator. XX = length in feet. Most control cables are available in lengths from 6 to 50 feet. See the Teleflex Marine list price sheet for current offering. Where Part Numbers are indicated, XX = length in feet. Lengths above 30 feet are only available in two-foot increments (32, 34, 36, etc.)

33C Supreme (midrange)	301947-003-XXX
TFXTREME 3300 cable (premium)	CC633XX

Cables have a 10-32 threaded terminal and a clamp-type fitting at each end. 3" nominal travel. Purchase of cable connection kit(s) may be required to complete the installation.

Options:

Hand Held Remote Control Unit	NM0906-00
Engine Sync Switch Kit	NJ0524-00
Engine Sync Master Harness	NM0605-01
Engine Sync Slave Harness	NM0605-02
Engine Sync Switch Harness	NM0617-XX
<i>(XX = length in meters. Avail. 05-40 meters in 5M increments.)</i>	
Circuit Breaker 20 AMP	NJ0514-00
Warning Buzzer-12 Volt DC	NJ0251-00
Warning Buzzer-24 Volt DC	NJ0515-00

Service Items:

Control Head Cover,Gold	NM0508-01
Control Head Cover, Chrome	NM0533-01
Control Head Cover, White	NM0536-01
Control Head Cover, Black	NM0539-01
Control Head Mounting Gasket	NM0508-06
Control Head Single Lever Cover Plug ..	NM0509-01
Cover Screws	NM0804-00
Keypad-Single Lever models	NM0811-00
Keypad-Twin Lever models	NM0810-00
Handle Decal	NM0808-00
Switch Cover	NM0508-03
Actuator Front Cover	NM0156-14
Manual Backup Cover	NM0805-00
Access Door Kit	NM0807-00
Latch Kit	NM0801-00
Sensor Assembly	NM0812-00
Cable Hardware	NM0802-00
Aux. Cable Hardware	NM0806-00
Cable Grommet	NM0803-00
Cable Clip	NM0809-00

CONNECTION KITS FOR 33/3300 CABLES:

Mercury O/B & I/O	301901 or CA27319P
Mercury Inboard Kit (all)	302123 or CA27373P
Evinrude/Johnson (1979-up) ..	300557 or CA27320P
Evinrude/Johnson (pre-1979) .	301729 or CA27321P
OMC Stern Drive (all)	300557 or CA27320P

(Morse P/N shown first, comparable Teleflex P/N shown second.)

Morse KE-4 control

Schematic of a typical twin engine/twin station KE-4 control system

