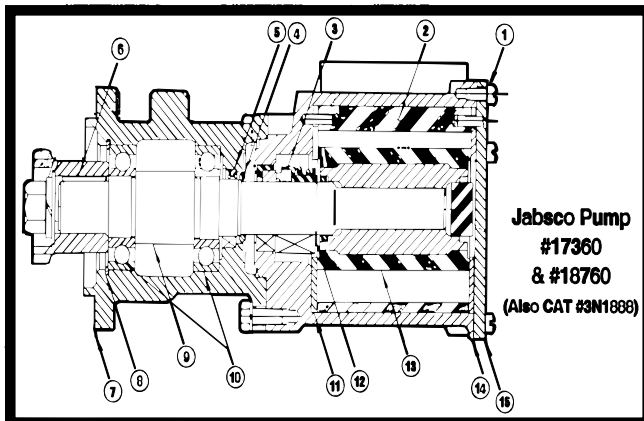


# DETROIT DIESEL PUMP PARTS

## 8V92TA & 16V92TA

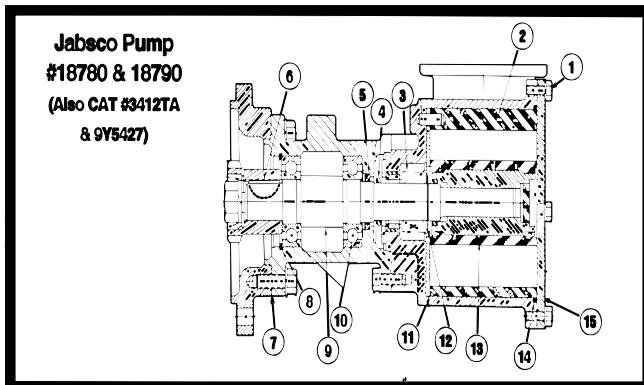


| KEY | JABSCO #    | DETROIT DIESEL # | QTY | DESCRIPTION     |
|-----|-------------|------------------|-----|-----------------|
| 1   | 91005-0040  | 23501649         | 6   | Cover Screw     |
| 2   | 17374-1000  | 8927571          | 1   | Cam Ring        |
| 3   | 96080-0371  | 8927573          | 1   | Mechanical Seal |
| 4   | 18754-1004  | 23501652         | 1   | O-Ring          |
| 5   | 92701-0180  | —                | 1   | Bearing Seal    |
| 6   | 91402-0230  | 23501664         | 1   | Key             |
| 7   | DD 23501662 | 23501662         | 1   | Mounting Gasket |
| 8   | 18725-0000  | 23501656         | 1   | Snap Ring       |
| 9   | 17366-1000  | 8927572          | 1   | Shaft           |
| 10  | 18752-0000  | 8927574          | 2   | Ball Bearing    |
| 11  | 17372-1000  | 8927568          | 2   | Wear Plate      |
| 12  | 18721-0000  | 23501653         | 1   | Seal Snap Ring  |
| 13  | 17370-0001  | 8927570          | 1   | Impeller        |
| 14  | 17365-1000  | 23501648         | 1   | Gasket          |
| 15  | 17378-1000  | 8927569          | 1   | Cover           |
|     | 91112-6020  | 23501650         | 1   | Pin (Wearplate) |

Detroit Diesel Pump #'s 8923363, 23507475, 23507476, 23507477, 23507973

**6 Cover Screws / Double Flat Impeller Drive**

## 12V71TI & 12V92TA



| KEY | JABSCO #    | DETROIT DIESEL # | QTY | DESCRIPTION     |
|-----|-------------|------------------|-----|-----------------|
| 1   |             |                  | 4   | Cover Screw     |
| 2   | 18785-0000  | 23502089         | 1   | Cam Ring        |
| 3   | 96080-0371  | 8927573          | 1   | Mechanical Seal |
| 4   | 18754-1004  |                  | 1   | O-Ring          |
| 5   | 92701-0180  | 23502092         | 1   | Bearing Seal    |
| 6   | 91402-0230  | 23506164         | 1   | Key             |
| 7   | DD 23501662 | 23501662         | 1   | Mounting Gasket |
| 8   | 18725-0000  | 23501656         | 1   | Snap Ring       |
| 9   | 17366-1000  | 8927572          | 1   | Shaft           |
| 10  | 18752-0000  | 8927574          | 2   | Ball Bearing    |
| 11  | 18787-0000  | 23502091         | 1   | Wear Plate      |
| 12  | 18721-0000  |                  | 1   | Seal Snap Ring  |
| 13  | 18786-0001  | 23502086         | 1   | Impeller        |
| 14  | 18785-ORING |                  | 1   | O-Ring          |
| 15  | 18784-2000  | 23502090         | 1   | Cover           |

Detroit Diesel Pump # 8927296

**4 Cover Screws / Double Flat Impeller Drive**

Phone: 800-225-0004    Fax: 908-486-1056  
e-mail: sales@sealandpower.com

**Service Parts - Flexible Impeller Pumps**

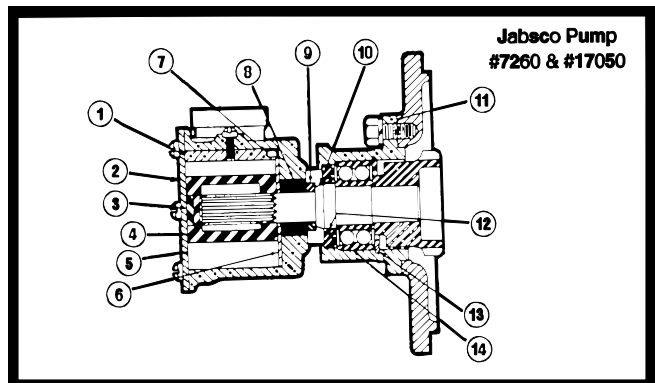


# DETROIT DIESEL PUMP PARTS

Service Parts - Flexible Impeller Pumps

| KEY | JABSCO #            | DETROIT DIESEL # | QTY | DESCRIPTION            |
|-----|---------------------|------------------|-----|------------------------|
| 1   | <b>CAM OPTIONS</b>  |                  |     |                        |
|     | 934-0000            | 8297519          | 1   | Cam (without pin)      |
|     | 7867-0000           | 5196696          | 1   | Cam (with pin)         |
| 2   | 11831-0000          | 5193331/8927516  | 1   | Cover                  |
|     | 91003-0010          | 8927518          | 6   | Cover Screw            |
| 4   | 920-0001            | 5196623/5193602  | 1   | Impeller               |
| 5   | 890-0000            | 8927517          | 1   | Gasket                 |
| 6   | 4156-0000           | 5195753          | 1   | Wearplate              |
| 7   | <b>CAM SCREW</b>    |                  |     |                        |
|     | 91004-0090          | 8927520          | 1   | Screw for 934-0000     |
|     | 91003-0020          |                  | 1   | Screw for 7867-0000    |
| 8   | <b>SEAL OPTIONS</b> |                  |     |                        |
|     | 96090-0080          | 8927526/5199150  | 1   | Mechanical Seal        |
|     | 92700-0060          | 5194216          | 1   | Lip Seal (1-1/8" Dia.) |
|     | 92700-0070          | 5193599          | 1   | Lip Seal (1-3/8" Dia.) |
|     | 3180-0000           | 5193675          | 1   | Slinger                |
| 10  | DD 5196515          |                  | 1   | Shaft                  |
| 11  | DD 5196513          | 5196513          | 1   | Flange Gasket          |
| 12  | 913-0000            | 5195019          | 1   | Bearing Seal           |
| 13  | 18724-0000          | 8927523/5193391  | 1   | Retaining Ring         |
| 14  | 92600-0060          | 8927522          | 1   | Ball Bearing           |
|     | DD 5122648          | 5122648          | 2   | Port Gaskets           |

3-53, 4-53 & 4-71

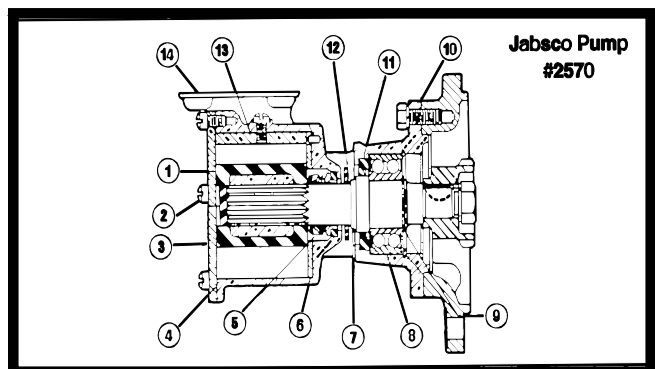


Detroit Diesel Pump #'s 5145578, 5145577, 5145576

6 Cover Screws / Spline Impeller Drive

| KEY | JABSCO #    | DETROIT DIESEL # | QTY | DESCRIPTION     |
|-----|-------------|------------------|-----|-----------------|
| 1   | 17935-0001  | 5193553/8924838  | 1   | Impeller        |
| 2   | 91005-0040  | 23504236         | 5   | Cover Screw     |
| 3   | 12062-0000  | 5193555          | 1   | Cover           |
| 4   | 816-0000    | 5193562          | 1   | Gasket          |
| 5   | 6408-0000   | 5193419          | 1   | Mechanical Seal |
| 6   | 2574-0000   | 5193556          | 1   | Wear Plate      |
| 7   | 2567-0500   | 5193552          | 1   | Shaft           |
| 8   | 92600-0040  | 954799           | 1   | Ball Bearing    |
| 9   | 18711-0000  | 5193569          | 1   | Small Snap Ring |
|     | 18712-0000  | 9415285          | 1   | Large Snap Ring |
| 10  | DD 23501662 | 23501662         | 1   | Mounting Gasket |
| 11  | 817-0000    | 5195101          | 1   | Bearing Seal    |
| 12  | 3181-0000   | 5193676          | 1   | Slinger         |
| 13  | 894-0001    | 5193554          | 1   | Cam             |
|     | 91005-0040  | 23504236         | 1   | Cam Screw       |
| 14  | DD 5115395  | 5115395          | 2   | Port Gaskets    |

6-53, 6-71 & 8-53



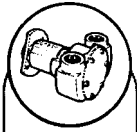
Detroit Diesel Pump #'s 23507971, 5186250, 5107480, 23501083, 2313002, 5137208, 5115396

5 Cover Screws / 2 1/2" Impeller Depth

Phone: 800-225-0004    Fax: 908-486-1056  
e-mail: sales@sealandpower.com

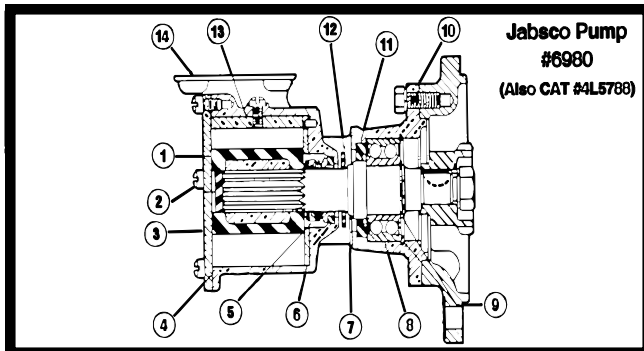


# DETROIT DIESEL PUMP PARTS



**Service Parts - Flexible Impeller Pumps**

**6-71TI, 8-71 & 12-71**

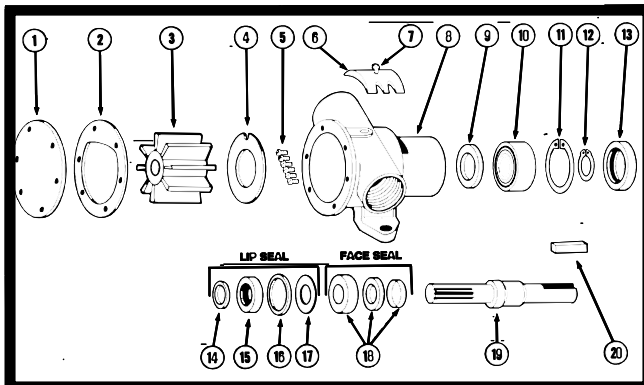


| KEY | JABSCO #    | DETROIT DIESEL # | QTY | DESCRIPTION        |
|-----|-------------|------------------|-----|--------------------|
| 1   | 17936-0001  | 5196168/8924839  | 1   | Impeller           |
| 2   | 91005-0040  | 23504236         | 5   | Cover Screw        |
| 3   | 12082-0000  | 5193555          | 1   | Cover              |
| 4   | 816-0000    | 5193562          | 1   | Gasket             |
| 5   | 6408-0000   | 5198419          | 1   | Mechanical Seal    |
| 6   | 2574-0000   | 5193556          | 1   | Wear Plate         |
| 7   | 6987-0500   | 5196169          | 1   | Shaft              |
| 8   | 519BRG      |                  | 1   | Ball Bearing       |
| 9   | 18718-0000  | 5196171          | 1   | Snap Ring          |
|     | 91402-0230  | 5197611          | 1   | Key                |
| 10  | DD 23501662 | 23501662         | 1   | Mounting Gasket    |
| 11  | 817-0000    | 5195101          | 1   | Bearing Seal       |
| 12  | 3181-0000   | 5193676          | 1   | Slinger            |
| 13  | 6988-0000   | 5196167          | 1   | Cam                |
|     | 91005-0040  | 23504236         | 1   | Cam Screw          |
| 14  | DD 5115395  | 5115395          | 2   | Square Port Gasket |
|     | DD 5112143  | 5112143          | 2   | Round Port Gasket  |

**Detroit Diesel Pump #'s 23507972, 5122599, 5106013, 8924265, 23501769**

**5 Cover Screws / 3 1/2" Impeller Depth**

**8.2 LITER**



| Key | Description   | Model 777-9001 |
|-----|---|----------------|
| 1   | End Cover   | 11831-0000     |
| 2   | *Gasket   | 890-0000       |
| 3   | *Impeller - Neoprene, Brass Insert<br>Nitrile, Brass Insert | 920-0001<br>—  |
| 4   | Wearplate   | 4156-0000      |
| 5   | Screw (End Cover)   | 91003-0010     |
| 6   | Cam (Brass)   | 934-0000       |
| 7   | Screw (Cam)   | 91004-0090     |
| 8   | Body  | 798-0020       |
| 9   | Bearing Seal (Inner)  | 913-0000       |
| 10  | Ball Bearing  | 92600-0060     |
| 11  | Retaining Ring (Brg. to Body)                               | 18724-0000     |
| 12  | Retaining Ring (Brg. to Shaft)                              | 18713-0000     |
| 13  | Bearing Seal (Outer)  | 914-0000       |
| 14  | †Seal Spacer  | —              |
| 15  | *Seal (Lip)   | —              |
| 16  | *O - Ring   | —              |
| 17  | Slinger   | —              |
| 18  | *Seal (Face)  | 96080-0080     |
| 19  | Shaft   | 6718-0000      |
| 20  | Key   | 9215-0000      |
|     | Service Kit (Not Shown)                                     | 90118-0001     |

**6 Cover Screws / Spline Impeller Drive**

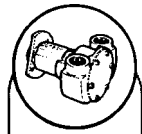
Phone: 800-225-0004    Fax: 908-486-1056  
e-mail: sales@sealandpower.com




**Service Parts - Flexible Impeller Pumps**

| MODEL NUMBER | SERVICE KIT | IMPELLER*  | GASKET*     | SEAL*      | CAM         | END COVER  |
|--------------|-------------|------------|-------------|------------|-------------|------------|
| 777-0001     | 90010-0001  | 17937-0001 | 890-0000    | 92700-0060 | 934-0000    | 11831-0000 |
| 777-0003     | 90010-0003  | 920-0003   | 890-0000    | 92700-0060 | 934-0000    | 11831-0000 |
| 777-9001     | 90118-0001  | 17937-0001 | 890-0000    | 96080-0080 | 934-0000    | 11831-0000 |
| 777-9003     | 90118-0003  | 920-0003   | 890-0000    | 96080-0080 | 934-0000    | 11831-0000 |
| 777-9004     | 90118-0001  | 17937-0001 | 890-0000    | 96080-0080 | 934-0000    | 11831-0000 |
| 777-9005     | 90118-0003  | 920-0003   | 890-0000    | 96080-0080 | 934-0000    | 11831-0000 |
| 777-9051     | 90118-0001  | 17937-0001 | 890-0000    | 96080-0080 | 2431-0000   | 11831-0000 |
| 1673-0001    | 90015-0001  | 1210-0001  | 1835-0000   | 92700-0060 | 490-0000    | 11836-0000 |
| 1673-0003    | 90015-0003  | 1210-0003  | 1835-0000   | 92700-0060 | 490-0000    | 11836-0000 |
| 1673-1001    | 90015-0001  | 1210-0001  | 18753-0133† | 92700-0060 | 490-0001    | 11836-0000 |
| 1673-1003    | 90015-0003  | 1210-0003  | 18753-0133† | 92700-0060 | 490-0001    | 11836-0000 |
| 1673-9001    | 90119-0001  | 1210-0001  | 1835-0000   | 96080-0080 | 490-0000    | 11836-0000 |
| 1673-9003    | 90119-0003  | 1210-0003  | 1835-0000   | 96080-0080 | 490-0000    | 11836-0000 |
| 1673-9051    | 90119-0001  | 1210-0001  | 1835-0000   | 96080-0080 | 2434-0000   | 11836-0000 |
| 2300-9001    | 90118-0001  | 17937-0001 | 890-0000    | 96080-0080 | 934-0000    | 11831-0000 |
| 2300-9003    | 90118-0003  | 920-0003   | 890-0000    | 96080-0080 | 934-0000    | 11831-0000 |
| 2300-9004    | 90118-0001  | 17937-0001 | 890-0000    | 96080-0080 | 934-0000    | 11831-0000 |
| 2300-9005    | 90118-0003  | 920-0003   | 890-0000    | 96080-0080 | 934-0000    | 11831-0000 |
| 2620-0001    | 90020-0001  | 18673-0001 | 2995-0000   | 92700-0050 | 2907-0000   | 11830-0000 |
| 2620-0003    | 90020-0003  | 18673-0003 | 2995-0000   | 92700-0050 | 2907-0000   | 11830-0000 |
| 2620-0051    | 90020-0001  | 18673-0001 | 2442-0000   | 92700-0050 | 2441-0000   | 11830-0000 |
| 2620-0053    | 90020-0003  | 18673-0003 | 2442-0000   | 92700-0050 | 2441-0000   | 11830-0000 |
| 2620-1001    | 90020-0001  | 18673-0001 | 18753-0125† | 92700-0050 | 2907-0000   | 11830-0000 |
| 2620-1003    | 90020-0003  | 18673-0003 | 18753-0125† | 92700-0050 | 2907-0000   | 11830-0000 |
| 2760-0001    | 90023-0001  | 4528-0001  | 1189-0000   | 92700-0110 | 4271-0000** | 12066-0000 |
| 2760-0003    | 90023-0003  | 4528-0003  | 1189-0000   | 92700-0110 | 4271-0000** | 12066-0000 |
| 3200-0011    | 90029-0001  | 2999-0001  | 3209-0000   | 3222-0000  | 3210-0000   | 12069-0000 |
| 3270-0001    | 90033-0001  | 1210-0001  | 3298-0000   | 92700-0060 | 7884-0000** | 11830-0000 |
| 3270-0003    | N/A         | 1210-0001  | 5212-0000   | 92700-0060 | 5211-0000** | 11830-0000 |
| 3290-9001    | 90111-0011  | 1210-0001  | 3298-0000   | 96080-0080 | 7884-0000** | 11830-0000 |
| 3380-0001    | 90033-0001  | 1210-0001  | 5212-0000   | 92700-0060 | 5211-0000** | 11830-0000 |
| 3480-9002    | 90111-0011  | 1210-0001  | 3298-0000   | 96080-0080 | 7884-0000** | 11830-0000 |
| 3480-9011    | 90111-0011  | 1210-0001  | 3298-0000   | 96080-0080 | 7884-0000** | 11830-0000 |
| 3590-9001    | 90118-0001  | 17937-0001 | 2432-0000   | 96080-0080 | —           | 11831-0000 |
| 3890-9011    | 90111-0011  | 1210-0001  | 3298-0000   | 96080-0080 | 7876-0000   | 11830-0000 |
| 4530-0001    | 90001-0001  | 4528-0001  | 1126-0000   | 4539-0000  | 4538-0000   | 11835-0000 |
| 4530-0003    | 90001-0003  | 4528-0003  | 1126-0000   | 4539-0000  | 4538-0000   | 11835-0000 |
| 4540-0001    | 90002-0001  | 4527-0001  | 2995-0000   | 4549-0000  | 2907-0000   | 11830-0000 |
| 4540-0003    | 90002-0003  | 4527-0003  | 2995-0000   | 4549-0000  | 2907-0000   | 11830-0000 |
| 4560-0001    | 90003-0001  | 4568-0001  | 7083-0000   | 3791-0000  | 490-0001    | 4565-0000  |
| 4560-0003    | 90003-0003  | 4568-0003  | 7083-0000   | 3791-0000  | 490-0001    | 4565-0370  |
| 4590-0001    | 90004-0001  | 4598-0001  | 706-0010    | 3791-0000  | 17612-0000  | 4565-0000  |
| 4590-0003    | 90004-0003  | 4598-0003  | 706-0010    | 3791-0000  | 17612-0000  | 4565-0370  |
| 4620-0001    | 90004-0001  | 4598-0001  | 706-0010    | 3791-0000  | 17612-0000  | 4565-0000  |
| 4620-0003    | 90004-0003  | 4598-0003  | 706-0010    | 3791-0000  | 17612-0000  | 4565-0060  |
| 5320-0011    | 90044-0001  | 5616-0001  | 2995-0000   | 92700-0420 | 7895-0001   | 11830-0000 |
| 5330-9001    | 90118-0001  | 17937-0001 | 890-0000    | 96080-0080 | 7867-0000   | 11831-0000 |
| 5330-9101    | 90118-0001  | 17937-0001 | 890-0000    | 96080-0080 | 17612-0001  | 11831-0000 |
| 5560-0001    | N/A         | 1210-0001  | 3298-0000   | 92700-0060 | 7607-0000** | 11830-0000 |
| 5660-0001    | N/A         | 1210-0001  | 3298-0000   | 92700-0060 | 7607-0000** | 11830-0000 |
| 5850-0001    | 90033-0001  | 1210-0001  | 3298-0000   | 92700-0060 | 7884-0000** | 11830-0000 |
| 6050-0001    | 90058-0001  | 17956-0001 | 890-0000    | 92700-0080 | 934-0000    | 11831-0000 |
| 6050-0003    | 90058-0003  | 6056-0003  | 890-0000    | 92700-0080 | 934-0000    | 11831-0000 |
| 6050-0253    | 90058-0003  | 6056-0003  | 890-0000    | 92700-0080 | 17248-0000  | 11831-0000 |
| 6050-0713    | 90058-0003  | 6056-0003  | 890-0000    | 92700-0080 | 17248-0000  | 11831-0000 |
| 6360-0001    | 90061-0001  | 6303-0001  | 1985-0010   | 93000-0100 | 2907-0000   | 12071-0000 |
| 6360-1001    | 90061-0001  | 6303-0001  | 18753-0104† | 93000-0100 | 2907-0000   | 6791-1100  |
| 6360-1003    | 90061-0003  | 6303-0003  | 18753-0104† | 93000-0010 | 2907-0000   | 6791-1100  |
| 6370-0001    | 90061-0001  | 6303-0001  | 1985-0010   | 93000-0100 | 2907-0000   | 12071-0000 |
| 6370-1001    | 90061-0001  | 6303-0001  | 18753-0104† | 93000-0100 | 2907-0000   | 6791-1100  |
| 6380-0001    | 90061-0001  | 6303-0001  | 1985-0010   | 93000-0100 | 2907-0000   | 12071-0000 |
| 6380-1001    | 90061-0001  | 6303-0001  | 18753-0104† | 93000-0100 | 2907-0000   | 6791-1100  |
| 6400-0001    | 90062-0001  | 17935-0001 | 816-0000    | 6407-0010  | 834-0001    | 12062-0000 |
| 6400-0004    | 90062-0001  | 17935-0001 | 816-0000    | 6407-0010  | 834-0001    | 12062-0000 |
| 6400-0051    | 90062-0001  | 17935-0001 | 816-0000    | 6407-0010  | 2551-0000   | 12062-0000 |
| 6400-1051    | 90062-0001  | 17935-0001 | 816-0000    | 6407-0010  | 2551-0000   | 12062-0000 |
| 6590-0001    | 90062-0001  | 17935-0001 | 816-0000    | 6407-0010  | 834-0001    | 12062-0000 |
| 6590-0003    | 90062-0003  | 836-0003   | 816-0000    | 6407-0010  | 834-0001    | 12062-0000 |
| 6590-0004    | 90062-0001  | 17935-0001 | 816-0000    | 6407-0010  | 834-0001    | 12062-0000 |
| 6590-0005    | 90062-0003  | 836-0003   | 816-0000    | 6407-0010  | 834-0001    | 12062-0000 |
| 6850-0001    | 90058-0001  | 6056-0001  | 890-0000    | 92700-0080 | 3255-0000   | 11831-0000 |
| 6850-0003    | 90058-0003  | 6056-0003  | 890-0000    | 92700-0080 | 3255-0000   | 11831-0000 |
| 7120-9001    | 90111-0001  | 1210-0001  | 3298-0000   | 96080-0080 | 7607-0000** | 11830-0000 |
| 7320-9001    | 90111-0001  | 1210-0001  | 3298-0000   | 96080-0080 | 7607-0000** | 11830-0000 |

Phone: 800-225-0004 ☎ Fax: 908-486-1056  
e-mail: sales@sealandpower.com



**Service Parts - Flexible Impeller Pumps**

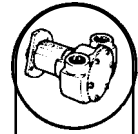
| MODEL NUMBER | SERVICE KIT | IMPELLER*  | GASKET*     | SEAL*      | CAM        | END COVER  |
|--------------|-------------|------------|-------------|------------|------------|------------|
| 7420-0001    | 90062-0001  | 17935-0001 | 816-0000    | 6407-0010  | 834-0000   | 12062-0000 |
| 7420-0003    | 90062-0003  | 836-0003   | 816-0000    | 6407-0010  | 834-0000   | 12062-0000 |
| 7420-0004    | 90062-0001  | 17935-0001 | 816-0000    | 96080-0330 | —          | —          |
| 7420-0005    | 90062-0003  | 836-0003   | 816-0000    | 96080-0330 | —          | —          |
| 7420-1001    | 90062-0001  | 17935-0001 | 816-0000    | 1040-0000  | —          | —          |
| 8170-9001    | 90118-0001  | 17937-0001 | 3101-0000   | 93000-0100 | —          | 12076-0000 |
| 8470-0711    | 90177-0001  | 3085-0001  | 8509-0000   | 1040-0000  | —          | 11833-0000 |
| 8470-0911    | 90177-0001  | 3085-0001  | 8509-0000   | 6407-0010  | 834-0000   | 12062-0000 |
| 8830-0701    | 90117-0121  | 3085-0001  | 8641-0000   | 6407-0010  | 834-0000   | 12062-0000 |
| 8830-0711    | 90117-0121  | 3085-0001  | 8641-0000   | 6407-0010  | 834-0000   | 12062-0000 |
| 8850-0001    | 90092-0007  | 14750-0001 | 7828-0000   | 96080-0080 | 3255-0000  | 11831-0000 |
| 8860-0001    | 90092-0007  | 14750-0001 | 7828-0000   | 96080-0080 | 8528-0000  | 12065-0000 |
| 8870-0001    | 90092-0007  | 14750-0001 | 7828-0000   | 96080-0080 | 8528-0000  | 12065-0000 |
| 8880-0001    | 90092-0007  | 14750-0001 | 7828-0000   | 96080-0080 | 8528-0000  | 11839-0000 |
| 9900-0001    | 90211-0001  | 18673-0001 | 10187-0000  | 96080-0080 | 8089-0000  | 11839-0000 |
| 10170-0011   | 90133-0001  | 1210-0001  | 10183-0000  | 93000-0100 | 8089-0000  | 12076-0000 |
|              |             | 11979-0001 | 10184-0000  | 93000-0100 | 8089-0000  | 12076-0000 |
| 10190-0011   | 90134-0001  | 1210-0001  | 10183-0000  | 93000-0100 | 8089-0000  | 12076-0000 |
|              |             | 3085-0001  |             | 93000-0100 | 8089-0000  | 12076-0000 |
|              |             | 5929-0001  | 3298-0000   | 92701-0040 | 10818-0000 | 9905-0000  |
| 11810-0001   | 90105-0001  | 5929-0001  | 3298-0000   | 96080-0080 | 490-0000   | —          |
| 11810-0003   | 90105-0003  | 5929-0003  | 3298-0000   |            | 10182-0000 | —          |
| 11810-0121   | 90105-0001  | 5929-0001  | 3298-0000   |            | 490-0000   | —          |
| 11810-0241   | 90105-0001  | 5929-0001  | 3298-0000   | 96080-0080 | 490-0000   | —          |
| 11810-0321   | 90105-0001  | 5929-0001  | 3298-0000   |            | 490-0000   | —          |
| 11810-1101   | 90105-0001  | 5929-0001  | 3298-0000   | 92700-0420 | 490-0001   | 11830-0000 |
| 11850-0701   | 90117-0001  | 1210-0001  | 8641-0000   | 92700-0420 | 490-0001   | 11830-0000 |
| 11850-0711   | 90117-0001  | 1210-0001  | 8641-0000   | 92700-0420 | 490-0001   | 11830-0000 |
| 11860-0001   | 90118-0001  | 17937-0001 | 890-0000    | 92700-0420 | 490-0001   | 11830-0000 |
| 11860-0003   | 90118-0003  | 920-0003   | 890-0000    | 92700-0420 | 490-0001   | 11830-0000 |
| 11860-0004   | 90118-0001  | 17937-0001 | 890-0000    | 92700-0420 | 490-0001   | 11830-0000 |
| 11860-0005   | 90118-0003  | 920-0003   | 890-0000    | 96080-0080 | 8528-0000  | 12346-0000 |
| 11860-0006   | 90118-0001  | 17937-0001 | 890-0000    | 96080-0080 | 8528-0000  | 12346-0000 |
| 11860-0007   | 90118-0001  | 17937-0001 | 890-0000    | 96080-0080 | 934-0000   | 11831-0000 |
| 11870-0001   | 90062-0001  | 17935-0001 | 816-0000    | 96080-0080 | 934-0000   | 11831-0000 |
| 11870-0003   | 90062-0003  | 836-0003   | 816-0000    | 96080-0080 | 934-0000   | 11831-0000 |
| 11870-0004   | 90062-0001  | 17935-0001 | 816-0000    | 96080-0080 | 934-0000   | 11831-0000 |
| 11870-0005   | 90062-0003  | 836-0003   | 816-0000    | 96080-0080 | 934-0000   | 11831-0000 |
| 11870-0006   | 90062-0001  | 17935-0001 | 816-0000    | 96080-0080 | 934-0000   | 11831-0000 |
| 11870-0007   | 90062-0003  | 836-0003   | 816-0000    | 6407-0010  | 834-0000   | 12062-0000 |
| 12050-0001   | 90117-0121  | 3085-0001  | 8641-0080   | 6407-0010  | 834-0000   | 12062-0000 |
| 12210-0001   | 90092-0007  | 14750-0001 | 7828-0000   | 6407-0010  | 834-0000   | 12062-0000 |
| 12210-0003   | 90092-0004  | 14750-0003 | 7828-0000   | 6407-0010  | 834-0000   | 12062-0000 |
| 12280-0001   | 90155-0001  | 17937-0001 | 12288-0000  | 6407-0010  | 834-0000   | 12062-0000 |
| 12290-0001   | 90126-0002  | 7273-0001  | 12558-0000  | 6407-0010  | 834-0000   | 12062-0000 |
| 12310-0001   | 90158-0000  | 14792-0001 | 92000-0750† | 92700-0060 | 8528-0000  | 12064-0000 |
| 12460-0011   | 90158-0051  | 14750-0001 | 92000-0750† | 93000-0100 | 8089-0000  | 12076-0000 |
| 12510-0001   | 90106-0001  | 9200-0001  | 9156-0010   | 93000-0100 | 8089-0000  | 12076-0000 |
| 12510-0003   | 90106-0013  | 9200-0003  | 9156-0010   | 96080-0080 | —          | 12294-0000 |
| 12520-0001   | 90061-0002  | 7273-0001  | 1985-0011   | 1040-0000  | —          | 12555-0000 |
| 12520-0003   | 90061-0002  | 7273-0001  | 1985-0011   | 1040-0000  | —          | 12375-0000 |
| 12520-1001   | 90061-0023  | 7273-0003  | 18753-0104† | 1040-0000  | —          | —          |
| 12520-1003   | 90061-0023  | 7273-0003  | 18753-0104† | 1040-0000  | —          | 11833-0000 |
| 12550-0001   | 90126-0001  | 6303-0001  | 12558-0000  | 1040-0000  | —          | 11833-0000 |
| 12560-0001   | 90126-0001  | 6303-0001  | 12558-0000  | 93000-0100 | 2907-0000  | 12071-0000 |
| 12570-0001   | 90126-0001  | 6303-0001  | 12558-0000  | 93000-0100 | 2907-0000  | 12071-0000 |
| 12580-0001   | 90126-0001  | 6303-0001  | 12558-0000  | 93000-0100 | 2907-0000  | 6791-1100  |
| 12590-0001   | 90126-0001  | 6303-0001  | 12558-0000  | 93000-0100 | 2907-0000  | 6791-1100  |
| 12590-0011   | 90126-0002  | 7273-0001  | 12558-0000  | 1040-0000  | —          | 12555-0000 |
| 12600-0001   | —           | 17935-0001 | 12608-0000  | 1040-0000  | —          | 12555-0000 |
| 14210-0001   | 90111-0001  | 1210-0001  | 3298-0000   | 1040-0000  | —          | 12555-0000 |
| 14940-0001   | 90158-0001  | 1414-0001  | 92000-0750† | 1040-0000  | —          | 12555-0000 |
| 16360-0003   | 90061-0003  | 6303-0003  | 1985-0010   | 1040-0000  | —          | 12555-0000 |
| 16360-1003   | 90061-0003  | 6303-0003  | 18753-0104† | 1040-0000  | —          | 12555-0000 |
| 16380-0001   | 90061-0003  | 6303-0003  | 1985-0010   | 6408-0000  | 12176-0000 | 12179-0000 |
| 16380-1003   | 90061-0003  | 6303-0003  | 18753-0104† | 96080-0080 | 6148-0000  | 11830-0000 |
| 17100-Series | 90179-0001  | 17937-0001 | 17106-0000  | 1040-0000  | —          | —          |
| 17120-0001   | 90178-0001  | 4528-0001  | 9156-0010   | 93000-0100 | 2907-0000  | 12071-0000 |
| 17200-0001   | N/A         | 11979-0001 | 10184-0000  | 93000-0100 | 2907-0000  | 6791-1100  |
| 17260-0003   | N/A         | 6303-0001  | 17269-0000  | 93000-0100 | 2907-0000  | 12071-0000 |
| 17260-0023   | N/A         | 6303-0001  | 17269-0000  | 93000-0100 | 2907-0000  | 6791-1100  |
| 17260-0033   | N/A         | 6303-0001  | 17263-0000  | 96080-0080 | —          | 17232-0000 |
| 17360-1001   | 90190-0001  | 17370-0001 | 17365-1000  | 92700-0060 | 4538-0000  | 11833-0000 |
| 17410-Series | 90187-0012  | 1210-0001  | 17408-0000  | 96080-0080 | 10182-0000 | 14937-0000 |
| 17440-0001   | 90181-0001  | 17937-0001 | 17445-0000  | 1040-0000  | —          | —          |

Phone: 800-225-0004 ☎ Fax: 908-486-1056  
e-mail: sales@sealandpower.com




**Service Parts - Flexible Impeller Pumps**

| MODEL NUMBER | SERVICE KIT | IMPELLER*  | GASKET*     | SEAL*      | CAM        | END COVER  |
|--------------|-------------|------------|-------------|------------|------------|------------|
| 17460-0003   | N/A         | 7273-0001  | 18596-1000  | 1040-0000  | —          | —          |
| 17600-0001   | —           | 17486-0001 | 17638-0000  | 1040-0000  | —          | —          |
| 17630-0001   | N/A         | 17486-0001 | 17638-0000  | 96080-0371 | 17374-1000 | 17378-1000 |
| 17800-0000   | 90158-0003  | 1414-0003  | 92000-0750† | 96080-0080 | —          | 17232-0000 |
| 17800-1000   | 90092-0004  | 14750-0003 | 7828-0000   | 96080-0080 | 2431-0000  | —          |
| 17820-0012   | —           | 9200-0023  | 9156-0010   | 1040-0000  | —          | —          |
| 17820-0024   | —           | 9200-0023  | 9156-0010   | 1040-0000  | —          | 11833-0000 |
| 17830-0012   | 90106-0023  | 9200-0023  | 9156-0010   | 18753-0384 | —          | 18647-0000 |
| 17830-0024   | 90106-0023  | 9200-0023  | 9156-0010   | 18753-0384 | —          | 18647-0000 |
| 18300-0000   | 90254-0001  | 17936-0001 | 816-0000    | 6408-0000  | 6988-0000  | 12062-0000 |
| 18310-0000   | 90254-0003  | 6760-0003  | 816-0000    | 6408-0000  | 6988-0000  | 12062-0000 |
| 18320-0000   | 90254-0001  | 17936-0001 | 816-0000    | 6408-0000  | 6988-0000  | 12062-0000 |
| 18320-0001   | 90254-0001  | 17936-0001 | 816-0000    | 6408-0000  | 6988-0000  | 12062-0000 |
| 18320-0002   | 90254-0001  | 17936-0001 | 816-0000    | 6408-0000  | 6988-0000  | 12062-0000 |
| 18330-0000   | 90254-0003  | 6760-0003  | 816-0000    | 6408-0000  | 6988-0000  | 12062-0000 |
| 18330-0001   | 90254-0003  | 6760-0003  | 816-0000    | 6408-0000  | 6988-0000  | 12062-0000 |
| 18330-0002   | 90254-0003  | 6760-0003  | 816-0000    | 6408-0000  | 6988-0000  | 12062-0000 |
| 18340-0000   | 90254-0001  | 17936-0001 | 816-0000    | 6408-0000  | 6988-0000  | 12062-0000 |
| 18370-0000   | 90254-0001  | 17936-0001 | 816-0000    | 6408-0000  | 6988-0000  | 12062-0000 |
| 18510-0000   | —           | 18515-0000 | 18516-0000  | 1040-0001  | —          | 18514-0000 |
| 18510-0001   | —           | 18515-0000 | 18516-0000  | 1040-0001  | —          | 18514-0000 |
| 18510-0002   | —           | 18515-0000 | 18516-0000  | 1040-0001  | —          | 18514-0000 |
| 18510-0020   | —           | 18526-0000 | 18516-0000  | 96080-0552 | —          | 18514-0000 |
| 18510-0021   | —           | 18526-0000 | 18516-0000  | 96080-0552 | —          | 18514-0000 |
| 18520-0000   | —           | 18556-0000 | 18557-0000  | 96080-0375 | —          | —          |
| 18530-0000   | —           | 18566-0000 | 18567-0000  | 96080-0375 | —          | —          |
| 18540-0000   | —           | 18576-0000 | 18577-0000  | 96080-0375 | —          | —          |
| 18540-0001   | —           | 18576-0001 | 18577-0000  | 96080-0375 | —          | —          |
| 18540-0002   | —           | 18576-0002 | 18577-0000  | 96080-0375 | —          | —          |
| 18550-0000   | —           | 18556-0000 | 18557-0000  | 96080-0375 | —          | —          |
| 18560-0000   | —           | 18556-0000 | 18567-0000  | 96080-0375 | —          | —          |
| 18570-0000   | —           | 18576-0000 | 18577-0000  | 96080-0375 | —          | —          |
| 18570-0001   | —           | 18576-0001 | 18577-0000  | 96080-0375 | —          | —          |
| 18570-0002   | —           | 18576-0002 | 18577-0000  | 96080-0375 | —          | —          |
| 18580-0002   | —           | 18515-0000 | 18516-0000  | 1040-0001  | —          | —          |
| 18590-0000   | 18598-0000  | 6303-0003  | 18596-1000  | 1040-0000  | —          | —          |
| 18590-0001   | 18598-0000  | 6303-0003  | 18596-1000  | 1040-0000  | —          | —          |
| 18590-0002   | 18598-0000  | 6303-0003  | 18596-1000  | 1040-0000  | —          | —          |
| 18590-0010   | 18598-0010  | 6303-0003  | 18596-1000  | 1040-0000  | —          | —          |
| 18610-0001   | 90061-0032  | 7273-0001  | 18753-0660† | 18753-0384 | —          | 18647-0000 |
| 18620-0003   | 90092-0004  | 14750-0003 | 7828-0000   | 93000-0100 | 8089-0000  | 12076-0000 |
| 18620-0023   | 90092-0004  | 14750-0003 | 7828-0000   | 93000-0100 | 8089-0000  | 12076-0000 |
| 18660-0121   | 90061-0006  | 6303-0001  | 18753-0660† | 18753-0384 | —          | 18647-0000 |
| 18670-0123   | 90061-0031  | 6303-0003  | 18753-0660† | 18753-0384 | —          | 18647-0000 |
| 18670-0923   | 90061-0031  | 6303-0003  | 18753-0660† | 18753-0384 | —          | 18647-0000 |
| 18670-0943   | 90061-0031  | 6303-0003  | 18753-0660† | 18753-0384 | —          | 18647-0000 |
| 18690-0000   | 18598-0000  | 6303-0003  | 18596-1000  | 1040-0000  | —          | —          |
| 18690-0010   | 18598-0010  | 6303-0003  | 18596-1000  | 1040-0000  | —          | —          |
| 18800-1000   | 90269-0005  | 18815-0005 | 3298-0000   | 92700-0420 | 490-1000   | 11830-1000 |
| 18800-1001   | 90269-0005  | 18815-0005 | 3298-0000   | 92700-0420 | 490-1000   | 11830-1000 |
| 18800-1004   | 90269-0005  | 18815-0005 | 3298-0000   | 92700-0420 | 490-1000   | 11830-1000 |
| 18800-1005   | 90269-0005  | 18815-0005 | 3298-0000   | 92700-0420 | 490-1000   | 11830-1000 |
| 18800-4000   | 90269-0005  | 18815-0005 | 3298-0000   | 92700-0420 | 490-1000   | 11830-1000 |
| 18800-4001   | 90269-0005  | 18815-0005 | 3298-0000   | 92700-0420 | 490-1000   | 11830-1000 |
| 18800-4004   | 90269-0005  | 18815-0005 | 3298-0000   | 92700-0420 | 490-1000   | 11830-1000 |
| 18800-4005   | 90269-0005  | 18815-0005 | 3298-0000   | 92700-0420 | 490-1000   | 11830-1000 |
| 18825-0010   | —           | 17937-0001 | 18753-0005† | 96080-0080 | 18829-1000 | —          |
| 18830-Series | 90180-0001  | 1210-0001  | 18753-0005† | 96080-0080 | 490-0001   | —          |
| 18840-Series | 90180-0001  | 1210-0001  | 18753-0005† | 96080-0080 | 490-0001   | —          |
| 18930-Series | 90184-0001  | 11979-0001 | 18753-0005† | 96080-0080 | 10182-0000 | —          |
| 18940-Series | 90184-0001  | 11979-0001 | 18753-0005† | 96080-0080 | 10182-0000 | —          |
| 22110-0201   | —           | 22120-0001 | 18753-0660† | —          | —          | 22114-0000 |
| 22110-0251   | —           | 22120-0001 | 18753-0660† | —          | —          | 22114-0000 |
| 22110-0301   | —           | 22120-0001 | 18753-0660† | —          | —          | 22114-0000 |
| 22110-0351   | —           | 22120-0001 | 18753-0660† | —          | —          | 22114-0000 |
| 22400-0201   | —           | 22120-0001 | 18753-0656† | —          | —          | 22114-0000 |
| 22400-0301   | —           | 22120-0001 | 18753-0656† | —          | —          | 22114-0000 |
| 22740-0050   | —           | 22120-0001 | 3298-0000   | 96080-0080 | 22308-0000 | 11830-0000 |
| 22740-0151   | —           | 22120-0001 | 3298-0000   | 96080-0080 | 22308-0000 | 11830-0000 |
| 22740-0251   | —           | 22120-0001 | 3298-0000   | 96080-0080 | 22308-0000 | 11830-0000 |
| 22740-0301   | —           | 22120-0001 | 3298-0000   | 92700-0060 | 18753-0090 | 11830-0000 |
| 22740-0351   | —           | 22120-0001 | 3298-0000   | 92700-0060 | 22308-0000 | 11830-0000 |



**Service Parts**

| MODEL NUMBER | SERVICE KIT | IMPELLER*               | GASKET*     | SEAL*        | CAM        | END COVER  |
|--------------|-------------|-------------------------|-------------|--------------|------------|------------|
| 23180-9000   | 18753-0089  | —                       | 18753-0086† | 92701-0504   | —          | —          |
| 23180-9200   | 18753-0089  | —                       | 18753-0086† | 92701-0504   | —          | —          |
| 23540-1200   | 90388-0000  | —                       | 18753-0162† | 92701-0504   | —          | —          |
| 23540-1300   | 90388-0000  | —                       | 18753-0162† | 92701-0504   | —          | —          |
| 23800-0201   | —           | 22120-0001              | 3298-0000   | 92700-0060   | 18753-0090 | 11830-0000 |
| 23800-0251   | —           | 22120-0001              | 3298-0000   | 92700-0060   | 22308-0010 | 11830-0000 |
| 23920-9403   | —           | 6303-0003               | X4020-257   | SP2701-52    | —          | —          |
| 23920-9503   | —           | 6303-0003               | X4020-257   | SP2701-52    | —          | —          |
| 23920-9213   | —           | 7273-0003               | X4020-257   | SP8012-0301B | —          | —          |
| 23920-9313   | —           | 7273-0003               | X4020-257   | SP8012-0301B | —          | —          |
| 30890-0000   | 90135-0001  | 30919-0001              | 18753-0343† | 18753-0342   | 30929-1000 | 30914-1000 |
| 30910-0000   | 90135-0001  | 30919-0001              | 18753-0343† | 18753-0342   | 30929-1000 | 30914-1000 |
| 30940-0001   | 90135-0001  | 30919-0001              | 18753-0343† | 18753-0342   | 30929-1000 | 30914-1000 |
| 30940-0011   | 90135-0001  | 30919-0001              | 18753-0343† | 18753-0342   | 30929-1000 | 30914-1000 |
| 42730-0000   | 90124-0001  | 18948-0001              | 18753-0030† | 96080-0080   | 42737-1000 | 42738-1000 |
| 43210-0001   | 90196-0001  | 17954-0001              | 43205-1000  | 18753-0328   | 43176-1000 | 43208-1000 |
| 44720-0000   | 90158-0003  | 1414-0003               | 92000-0750  | 1040-0000    | —          | —          |
| 45710-0000   | 90200-0000  | 18753-0073/18253-0072†† | 18753-0071† | 1040-0000    | —          | 18753-0070 |
| 45710-0020   | 90200-0000  | 18753-0073/18253-0072†† | 18753-0071† | 1040-0000    | —          | 18753-0070 |
| 45710-1000   | 90200-0000  | 18753-0073/18253-0072†† | 18753-0071† | 1040-0000    | —          | 18753-0070 |
| 45710-1020   | 90200-0000  | 18753-0073/18253-0072†† | 18753-0071† | 1040-0000    | —          | 18753-0070 |
| 45710-2010   | 90200-0000  | 18753-0073/18253-0072†† | 18753-0071† | 1040-0000    | —          | 18753-0070 |
| 45740-0000   | 90200-0000  | 18753-0073/18253-0072†† | 18753-0071† | 1040-0000    | —          | 18753-0070 |



**JABSCO** also offers Searchlights, Water Pressure & Washdown Systems and Marine Sanitation Systems as well as many other fine products. Call us or checkout Jabsco's link on our website for more complete information.

