

Engine Driven,
Electric Clutch Pumps

Bilge Pumping Systems -



18330-Series Electric Clutch Pumps

This manually activated clutch pump offers all the benefits of flexible impeller pumps with a high capacity flow rate and horizontally oriented ports.

- 83 gpm (314 lpm) at 10ft (3m) total head @ 1750 rpm.
- Self-priming to 15ft (4.5m) vertical lift.
- Mechanical face type shaft seal.
- Nitrile impeller.
- Two pulley options to accommodate either A and B size belts.
- Two single-row shaft ball bearings.

Fitting: 2" NPT

Size: 12-7/16" long x 5-1/16" wide x 5-3/4" high (excluding pulley)
Pulley Diameter - 7"

Weight: 24 lb (11 kg)

- | | |
|-------------------|---|
| 18330-0000 | 12 Volt dc Pump with double A groove pulley |
| 18330-0040 | 12 Volt dc Pump with single B groove pulley |
| 18330-0001 | 24 Volt dc Pump with double A groove pulley |
| 18330-0041 | 24 Volt dc Pump with single B groove pulley |



11870-Series Electric Clutch Pumps

This electrically activated clutch pump offers all the benefits of flexible impeller pumps with a substantial flow rate and horizontally oriented ports. The electric clutch offers convenient remote activation.

- 62 gpm (235 lpm) at 10ft (3m) total head @ 1750 rpm.
- Self-priming to 15ft (4.5m) vertical lift.
- Mechanical face type shaft seal.
- Nitrile impeller.
- Two pulley options to accommodate either A and B size belts.
- Double-row ball bearing.

Fitting: 1/4" NPT

Size: 8 3/16" long x 5/8" wide x 5 7/8" high (excluding pulley)
Pulley Diameter - 7"

Weight: 18 lb (8 kg)

- | | |
|-------------------|---|
| 11870-0005 | 12 Volt dc Pump with double A groove pulley |
| 11870-0045 | 12 Volt dc Pump with single B groove pulley |
| 11870-0006 | 24 Volt dc Pump with double A groove pulley |
| 11870-0046 | 24 Volt dc Pump with single B groove pulley |
| 11870-0007 | 32 Volt dc Pump with double A groove pulley |



11860-Series Electric Clutch Pumps

This electrically activated clutch pump offers all the benefits of flexible impeller pumps with a moderate flow rate and horizontally oriented ports. The electric clutch offers convenient remote activation.

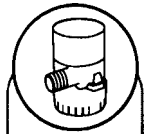
- 26 gpm (98 lpm) at 10ft (3m) total head @ 1750 rpm.
- Self-priming to 15ft (4.5m) vertical lift.
- Mechanical face type shaft seal.
- Nitrile impeller.
- Two pulley options to accommodate either A and B size belts.
- Double-row ball bearing.

Fitting: 1" NPT

Size: 6 3/16" long x 4 1/4" wide x 3 3/4" high (excluding pulley).
Pulley Diameter - 7"

Weight: 9 lb (4 kg)

- | | |
|-------------------|---|
| 11860-0005 | 12 Volt dc Pump with double A groove pulley |
| 11860-0045 | 12 Volt dc Pump with single B groove pulley |
| 11860-0006 | 24 Volt dc Pump with double A groove pulley |
| 11860-0046 | 24 Volt dc Pump with single B groove pulley |

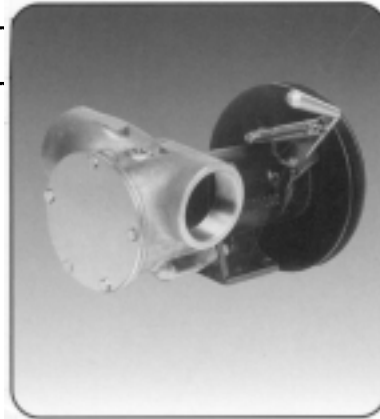


51270-9013 Manual Clutch Pumps

This manually activated clutch pump offers all the benefits of flexible impeller pumps with a high capacity flow rate and horizontally oriented ports.

- 83 gpm (314 lpm) at 10ft (3m) total head @ 1750 rpm.
- Self-priming to 15ft (4.5m) vertical lift.
- Mechanical face type shaft seal.
- Nitrile impeller.
- Clutch pulley accommodates both A and B size belts.
- Two single-row shaft ball bearings.

Fitting: 2" NPT.
Size: 12⁷/₁₆" long x 5¹/₁₆" wide (excluding pulley) x 8⁷/₁₆" high; Pulley Dia. 7".
Weight: 24 lb (11 kg).
51270-9013 Pump with nitrile impeller, full cam and mechanical seal.

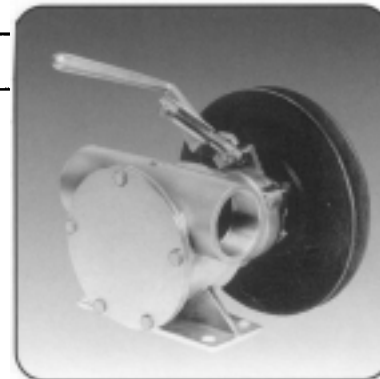


51200-9013 Manual Clutch Pumps

This manually activated clutch pump offers all the benefits of flexible impeller pumps with a substantial flow rate.

- 62 gpm (235 lpm) at 10ft (3m) total head @ 1750 rpm.
- Self-priming to 15ft (4.5m) vertical lift.
- Mechanical face type shaft seal.
- Nitrile impeller.
- Clutch pulley accommodates both A and B size belts.

■ Double-row ball bearing.
Fitting: 1¹/₂" NPT.
Size: 9⁹/₁₆" long x 5¹/₁₆" wide (excluding pulley) x 8⁷/₁₆" high; Pulley Diameter - 7".
Weight: 18 lb (8 kg).
51200-9013 Pump with nitrile impeller, full cam and mechanical seal.

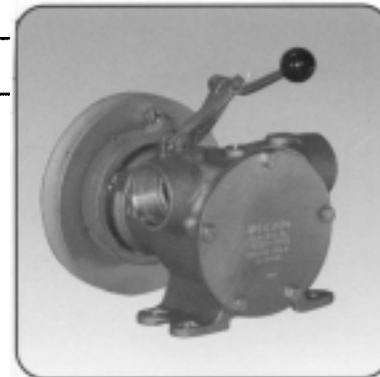


6590-0005 Manual Clutch Pumps

This manually activated clutch pump offers all the benefits of flexible impeller pumps with a substantial flow rate and horizontally oriented ports.

- 62 gpm (235 lpm) at 10ft (3m) total head @ 1750 rpm.
- Self-priming to 10ft (3m) vertical lift.
- Mechanical face type shaft seal.
- Nitrile impeller.
- Clutch pulley accommodates a B size belt.
- Double-row ball bearing.

Fitting: 1¹/₂" NPT
Size: 8¹/₁₆" long x 5¹/₁₆" wide (excluding pulley) x 8¹/₁₆" high; Pulley Diameter - 6"
Weight: 18 lb (8 kg)
6590-0005 Pump with nitrile impeller, full cam and mechanical seal.

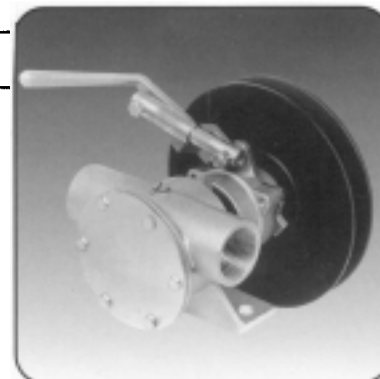


51080-9013 Manual Clutch Pumps

This manually activated clutch pump offers all the benefits of flexible impeller pumps with a moderate flow rate and horizontally oriented ports.

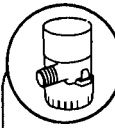
- 26 gpm (98 lpm) at 10ft (3m) total head @ 1750 rpm.
- Self-priming to 15ft (4.5m) vertical lift.
- Mechanical face type shaft seal.
- Nitrile impeller.
- Clutch pulley accommodates both A and B size belts.
- Double-row ball bearing.

Fitting: 1" NPT.
Size: 7-13/16" long x 4-3/4" wide (excluding pulley) x 7-9/16" high; Pulley Diameter - 6".
Weight: 9 lb (4 kg).
51080-9013 Pump with nitrile impeller, full cam and lip seal.



Engine Driven,
Manual Clutch Pumps

Bilge Pumping Systems -



Electric Flexible
Impeller Pumps

Bilge Pumping Systems -



Water Puppy

Heavy duty, continuously rated waste sump pump.

- 380 gph (1430 lph) output at 3m (10ft) total head.
- Self-priming up to 4ft (1.2m) vertical lift.
- Simple design means fewer wearing parts - all user serviceable.
- Complies with USCG 183.410 and ISO 8846 MARINE (Ignition protection).
- ISO 8849 MARINE (Bilge Pump Standard).

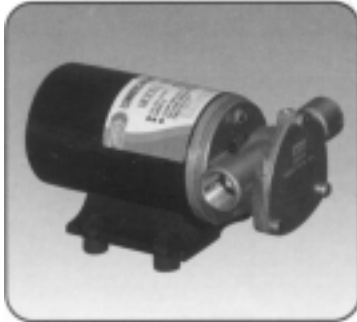
Fitting: Connections for 1/2" NPT male threaded fittings, and for 1" (25mm) ID hose.

Size: 6 1/2" long x 4 1/4" wide x 3 1/2" high (16.2cm x 12.1cm x 8.9cm).

Weight: 6 1/2 lb (3 kg).

18660-0121 12 Volt dc model, fuse 15 amp.

6303-0001 Replacement impeller.



Commercial Duty Water Puppy

High flow, continuously rated bilge pump offering good discharge head.

- 470 gph (1770 lph) output at 10ft (3m) total head.
- Self-priming up to 8ft (2.4m) vertical lift.
- Bilge debris presents no problem to this bronze bodied, flexible impeller design.
- Simple design means fewer wearing parts - all user serviceable.
- Complies with USCG 183.410 and ISO 8846 MARINE (Ignition protection).
- ISO 8849 MARINE (Bilge Pump Standard).

Fitting: Connections for 1" (25mm) ID hose, or 1/2" NPT male threads. Do not use plumbing of less than 1/4" (19 mm) internal diameter.

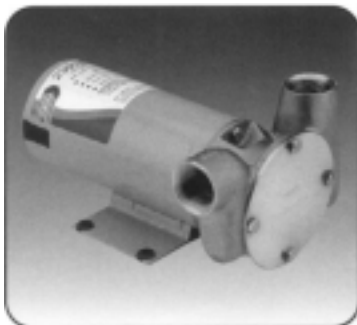
Size: 7 1/2" long x 4 1/4" wide x 3 1/2" high (18.1cm x 12.1cm x 8.9cm).

Weight: 8 lb (3.6 kg).

18670-0123 12 Volt dc model, fuse 15 amp.

18670-0243 24 Volt dc model, fuse 10 amp.

6303-0003 Replacement impeller.



Utility Puppy 2000

Continuous rated Utility Puppy 2000 offers high flow for bilge, deck wash and general purpose use, and twenty minutes dry running.

- 500 gph (1920 lph) output at 10ft (3m) total head.
- Dry running for twenty minutes after initial use.
- Self-priming up to 4ft (1.2m) vertical lift.
- Bilge debris presents no problem to this bronze bodied, flexible impeller design.
- Simple design means fewer wearing parts - all user serviceable.
- Complies with USCG 183.410 and ISO 8846 MARINE (Ignition protection).

■ ISO 8849 MARINE (Bilge Pump Standard).

Fitting: Connections for 3/4" male threads.

Size: 7 1/2" long x 4 1/4" wide x 3 1/2" high (19cm x 12cm x 9cm).

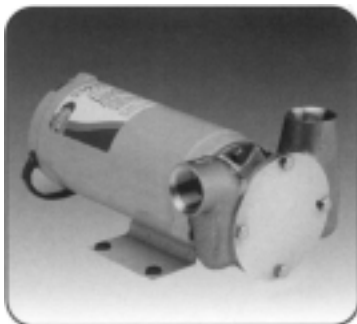
Weight: 9.7 lb (3.4 kg).

23920-2403 12 Volt dc BSP model, fuse 15 amp.

23920-2503 24 Volt dc BSP model, fuse 10 amp.

23920-9403 12 Volt dc NPT model, fuse 15 amp.

23920-9503 24 Volt dc NPT model, fuse 10 amp.



Utility Puppy 3000

Continuous rated heavy duty Utility Puppy 3000 offers very high flow for bilge, deck wash and general purpose use, and ten minutes dry running.

- 680 gph (2580 lph) output at 10ft (3m) total head.
- Dry running for ten minutes after initial use.
- Self-priming up to 8ft (2.4m) vertical lift.
- Mechanical seal for extra long life.
- Bilge debris presents no problem to this bronze bodied, flexible impeller design.
- Simple design means fewer wearing parts - all user serviceable.
- Complies with USCG 183.410 and ISO 8846 MARINE (Ignition protection).

■ ISO 8849 MARINE (Bilge Pump Standard).

Fitting: Connections for 3/4" male threads.

Size: 8 1/2" long x 4 1/4" wide x 3 1/2" high (22cm x 12cm x 9cm).

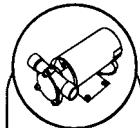
Weight: 8.2 lb (4.0 kg).

23920-2213 12 Volt dc BSP model, fuse 15 amp.

23920-2313 24 Volt dc BSP model, fuse 10 amp.

23920-9213 12 Volt dc NPT model, fuse 25 amp.

23920-9313 24 Volt dc NPT model, fuse 15 amp.



12210-Series Utility Pumps

The 12210-Series Pumps are the most compact self-priming flexible impeller 115 Volt AC Utility Pumps Jabsco offers.

- Bronze Pump head.
- 3.4 gpm (12.8 lpm) output at 10ft (3m) total head.
- Replaceable brushes.
- Intermittent duty cycle.
- 6 foot power cord with grounded plug.

Fitting: 1/8" NPT Internal thread.	
Size: 6 7/8" long x 4" wide x 3 7/8" high. (175mm x 102 mm x 92 mm)	
Weight: 5lb (2.3kg)	
12210-0001	115 Volt AC with Neoprene Impeller.
12210-0003	115 Volt ac with Nitrile Impeller.
1414-0001	Replacement Neoprene Impeller.
1414-0003	Replacement Nitrile Impeller.



18610-Series Utility Pumps

The 18610-Series pumps are very versatile moderate flow rate, portable self-priming Utility Pumps suitable for continuous duty applications.

- Bronze Pump head.
- 5.8 gpm (22 lpm) output at 10ft (3m) total head.
- Continuous duty motor with thermal over-load protection.
- 8 foot power cord with grounded plug.
- Convenient Carrying Handle.

Fitting: 1/2" NPT Internal thread. 1" Hose Barbed O.D.	
Size: 9" long x 5 7/8" wide x 7 7/8" high (229mm x 143mm x 186mm)	
Weight: 12lb (5.4kg)	
18610-0001	115 Volt AC with Neoprene Impeller.
18610-0003	115 Volt AC with Nitrile Impeller.
7273-0001	Replacement Neoprene Impeller.
7273-0003	Replacement Nitrile Impeller.

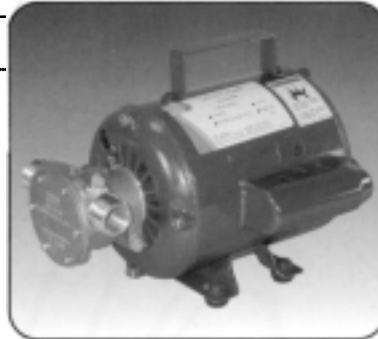


11810-Series Utility Pumps

The 11810-Series pumps are robust, portable self-priming Utility Pumps with a substantial flow rate.

- Bronze Pump head.
- 9.5 gpm (36 lpm) output at 10ft (3m) total head.
- Continuous duty motor with thermal over-load protection.
- 8 foot power cord with grounded plug.
- Convenient Carrying Handle.
- Available with Open Drip Proof or Totally Enclosed Fan Cooled Motor.

Size: 10 1/2" long x 7 1/4" wide x 7 1/4" high (267mm x 184mm x 197mm)	
Weight: 20lb (9.1kg) ODP Motor 25lb (11.4kg) TEFC Motor	
11810-0003	115 Volt AC with Nitrile Impeller and Open Drip Proof Motor.
11810-0011	115 Volt AC with Neoprene Impeller and Totally Enclosed Fan Cooled Motor.
11810-0013	115 Volt AC with Nitrile Impeller and Totally Enclosed Fan Cooled Motor.
5929-0001	Replacement Neoprene Impeller.
5929-0003	Replacement Nitrile Impeller.

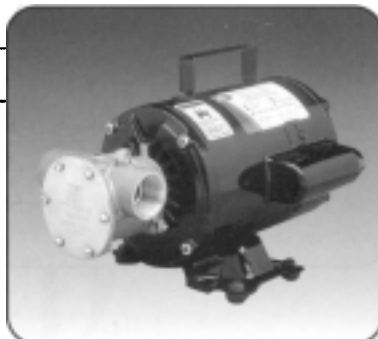


6050-Series Utility Pumps

The 6050-Series pumps are the highest capacity, self-priming, portable Utility Pumps offered by Jabsco.

- Bronze Pump head.
- 23 gpm (87 lpm) output at 10ft (3m) total head.
- Continuous duty motor with thermal over-load protection.
- Motor wired to operate with 115 Vac and can be converted to 230 Vac.
- Available with Open Drip Proof or Totally Enclosed Fan Cooled Motor.

■ 8' power cord with grounded plug.	
■ Convenient Carrying Handle.	
Fitting: 1" NPT Internal thread.	
Size: 13" long x 8" wide x 8 7/8" high (229mm x 143mm x 186mm)	
Weight: 35.5lb (16.1kg)	
6050-0003	115 Volt AC with Nitrile Impeller and Open Drip Proof Motor
6050-0013	115 Volt AC with Nitrile Impeller and Totally Enclosed Fan Cooled Motor
6056-0003	Replacement Nitrile Impeller.



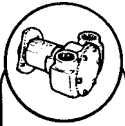
WARNING



Explosion hazard. Pumps with AC motors can spark. Explosion and death can occur. Do not use where flammable vapors are present.

ac Motor Pumps

General Purpose Pumps -



Upgrade to Jabsco Engine Cooling Pumps - Flexible Impeller Pumps

As originators of the flexible impeller engine cooling pump Jabsco is known worldwide for quality, reliability and serviceability.

As original equipment suppliers to engine marinizers, we also manufacture after market alternatives to many original pumps. These pumps are designed to be fully serviceable and after long use can be restored to like new condition, avoiding complete pump replacement.



Jabsco 22110-Series

Marine Engine Cooling Crank Drive, fits Small and Large Block Chevrolet Engines.

- Will Retrofit Crank Driven Pumps on Volvo, Indmar and Marine Power Engines.
- Available in Full and Half Cam.
- Available with Mechanical or Lip Seal.
- O-Ring Endcover Seal.
- Dual Bearing Design for Greater Shaft Support.

Fitting: 1/4" Hose Barb
Size: 4 1/8" long x 4 1/8" wide 4 1/8" high
Weight: 4 1/8 lb (1.9 kg)

22110-0201	Full Cam, Lip Seal
22110-0301	Full Cam, Mechanical Seal
22110-0251	Half Cam, Lip Seal
22110-0351	Half Cam, Mechanical Seal



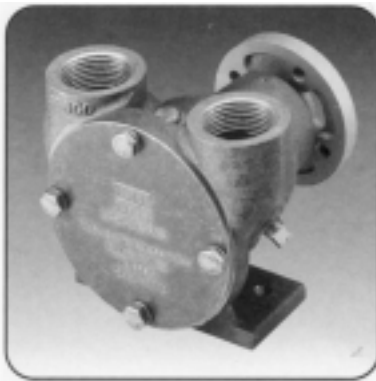
MerCruiser Type 43210-0001

Marine Engine Cooling Replaces MerCruiser Model 46-72774-A32.

- Left or Right Hand Rotation.
- One Piece Bronze Body.
- Bronze End Plate.
- Replaceable Cam and Wearplate.

Fitting: 1/4" Hose Barb
Size: 9 1/2" long x 4 1/2" wide 4 1/8" high
Weight: 7 lb (3.2 kg)
Drive: Pulley
Mount: MerCruiser Clamp Type or MerCruiser Bracket

43210-0001	MerCruiser Pump
43216-1000	Replacement bronze end cover for MerCruiser produced pumps



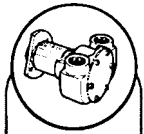
Crusader Type 42730-0000

Marine Engine Cooling Replaces Crusader Model Number 97179 and Sherwood E-35.

- Fits Most Pre: 1993 Crusader Engines.
- Accepts Crusader Drive Pulley.
- Bolts Directly to stock mounting bracket.
- Wearplate and seal can generally be replaced without removing the pump shaft.

Fitting: 1" NPT Internal
Size: 4 1/8" long x 4 1/8" wide x 4 1/8" high
Weight: 7 lb (3.2 kg)
Drive: Pulley
Mount: Pedestal

42730-0000	Crusader
------------	----------



Engine Cooling Pumps

Jabsco Replacements for Sherwood Engine Cooling Pumps

Jabsco engine cooling pumps are constructed with all bronze body, bearing housing and stainless steel shaft to withstand harsh marine environments.

They can directly replace the Sherwood models G-30-2 on current Chris Craft production engines and G-5 on current Chrysler engines.

They may also fit some models of Volvo, Escort, Pleasurecraft and Datsun engines.

Pumps are available in a variety of configurations. They can be supplied with a choice of: 1" or 1/4" ports; mounting tabs on front or rear of bearing housing; and 6 1/2" "A" belt pulley, pulley mounting adapter, or 3/16" key on the shaft.



Mounting tabs near body

Port size 1" 18830-0000
1/4" 18930-0000



With pulley adapter

Port size 1" 18830-0010
1/4" 18930-0010



With pulley

Port size 1" 18830-1020
1/4" 18930-0020



With keyed shaft

Jabsco Model No	Sherwood Model No	Port Size	Engine Application
18830-0000	G-30-2	1" (25mm)	Chris Craft; 350 C.I.
18830-1020	-	1" (25mm)	Commander Marine 302, 351 C.I. Glastron 302, 351 C.I. 165, 190, 200 & 225
18840-0010	G-21	1" (25mm)	Pleasurecraft
18840-1010	-	1" (25mm)	Nissan LDM 4 Cyl.
18930-0000	G-45-1	1/4" (32mm)	Chris Craft
18940-0010	G-5, G-7-B	1/4" (32mm)	Chrysler LM-318X-LM-340X Lehman 302, 351 C.I. Powerhouse Marine 302, 351 C.I.
18825-0010	G-151	1/2" (38mm)	MerCruiser 7.3 Diesel L/270 Star Power Stern Drive 3800790MI



Mounting tabs near pulley

Port size 1" 18840-0010
1/4" 18940-0010
1/2" 18825-0010



With pulley

17360-1001

Marine Engine Cooling for Engine Models. Caterpillar D-336 and D-353.

With minor plumbing modifications may be adapted to:

- Caterpillar D-343
- Detroit Diesel V-71 and V-92
- Some Stewart and Stevenson Marineizations of Detroit Diesel Engines

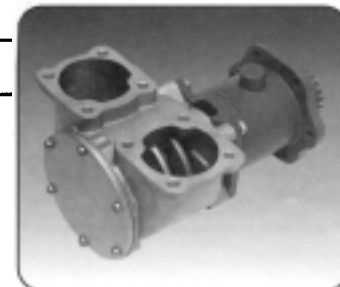
Fitting: 2-1/2" Flange port

Size: 9-1/4" long x 7-7/8" wide x 5-5/16" high

Weight: 28lb (12.7kg)

Drive: Gear

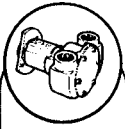
Mount: Engine
17360-1001



Phone: 800-225-0004 Fax: 908-486-1056
e-mail: sales@sealandpower.com

Upgrade to Jabsco
Engine Cooling Pumps

Flexible Impeller Pumps -



Upgrade to Jabsco Engine Cooling Pumps - Flexible Impeller Pumps



5850-0001

Marine Engine Cooling:

- Flagship.
- Palmer Lehman.
- Chris-Craft.

Fitting: 3/4" NPT

Size: 5-5/16" long x 4-1/4" wide x 3-1/4" high

Weight: 6 lb (2.7 kg)

Drive: Coupler

Mount: Engine



12600-0001

Marine Engine Cooling for Engine Models:

- Cummins V-903.
- Cummins VT-903.

Fitting: 3" Hose

Size: 7" long x 7-3/8" wide x 8-1/2" high

Weight: 20 lb (9 kg)

Drive: Gear

Mount: Engine



7420-1001

Marine Engine Cooling for Engine Models:

- Caterpillar 3160.
- Caterpillar 3208.

Fitting: 1/4" NPT Vertical Ports

Size: 7 1/2" long x 5 1/8" wide x 4 1/8" high

Weight: 10 1/2 lb (4.8 kg)

Drive: Pulley

Mount: Pedestal



6400-1051

Marine Engine Cooling for Engine Models:

- Caterpillar 3160.
- Caterpillar 3208.

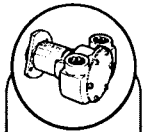
Fitting: 1/4" NPT Horizontal Ports

Size: 7 1/2" long x 5 1/8" wide x 4 1/8" high

Weight: 10 1/2 lb (4.8 kg)

Drive: Pulley

Mount: Pedestal



18825-0010

Marine Engine Cooling:

- MerCruiser V-8 Diesels.
- Marine Power V-8 Diesels.

Fitting: 1 1/2" ID Hose
Size: 6 1/2" long x 5 3/4" wide x 3 1/4" high
Weight: 7 1/2 lb (3.4kg)
Drive: Pulley (6 1/2")
Mount: Bracket

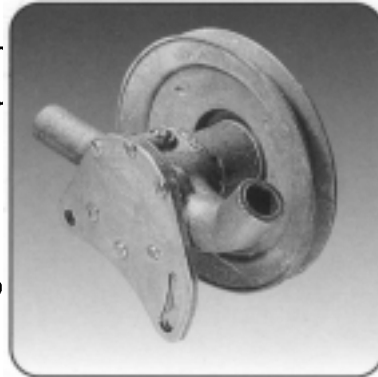


11850-0701

Marine Engine Cooling:

- Holman & Moody.
- Crusader.
- Daytona.

Details: 1" Hose
Size: 4 1/16" long x 6 1/16" wide
Weight: 6 lb (2.7 kg)
Drive: Pulley
Mount: Bracket
 Model 11850-0711 is the same as 11850-070 but with the re-positioned cam



18400-0050

Marine Engine Cooling Generator Pump:

- Onan MDJF 15KW.

Fitting: 3/4" NPT
Size: 5 1/16" long x 4 1/4" wide x 3 1/4" high
Weight: 6 lb (2.7 kg)
Drive: Coupler
Mount: Engine



3270-0001

Marine Engine Cooling for Engine Models:

- Perkins 4-107.
- Perkins 4-108.

Fitting: 3/4" NPT
Size: 4-1/4" long x 4-1/8" wide x 3-7/8" high
Weight: 4lb (1.8kg)
Drive: Coupling
Mount: Engine



Upgrade to Jabsco
Engine Cooling Pumps

Flexible Impeller Pumps -



Pulley Driven
Pumps

Flexible Impeller Pumps -

Pulley Driven Engine Cooling and General Purpose Pumps

Flexible impeller pumps are self-priming and therefore, are ideal for engine cooling, wash-down, circulation and many general purpose on-board or dockside applications. The bronze bodies and stainless steel shafts are well suited for marine environments. They can operate in either rotational direction. A variety of models are available with flows from 3 gpm (11 lpm) to 83 gpm (314 lpm) and with different port orientations to suit virtually any pumping requirement. Most models have replaceable cams and wearplates for extended product life.



2760 Series

This pump offers all the benefits of flexible impeller pumps in a compact size with moderate flow rate and has vertically oriented ports.

- 3.7 gpm (14 lpm) at 10ft (3m) total head @ 1750 rpm.
- Self-priming to 10ft (3m) vertical lift.
- Lip seal.
- Neoprene or Nitrile impeller.
- Double-row ball bearing.

Fitting: 1/4" NPT.

Size: 3 3/16" long x 2 3/16" wide x 2 7/16" high.

Weight: 1 1/2 lb (0.7 kg)

2760-0001 Pump with neoprene impeller, full cam and lip seal.

2760-0003 Pump with nitrile impeller, full cam and lip seal.



2620 Series

This pump offers all the benefits of flexible impeller pumps in a compact size with moderate flow rate and ports oriented at approximate 45° angles.

- 5.8 gpm (22 lpm) at 10ft (3m) total head @ 1750 rpm.
- Self-priming to 10ft (3m) vertical lift.
- Lip seal.
- Neoprene or Nitrile impeller.
- Two single row ball bearings.

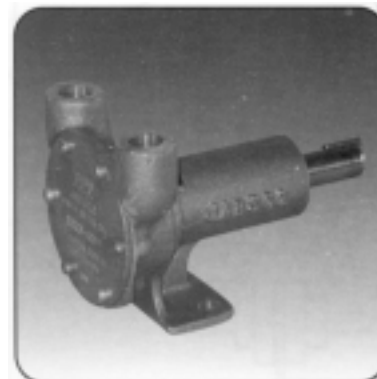
Fitting: 1/8" NPT.

Size: 3 1/2" long x 3 1/16" wide x 3 3/32" high.

Weight: 2 1/4 lb (1.3 kg)

2620-1001 Pump with neoprene impeller, full cam and lip seal.

2620-1003 Pump with nitrile impeller, full cam and lip seal.



5320-0011

This pump offers all the benefits of flexible impeller pumps in a compact size with moderate flow rate and has vertically oriented ports

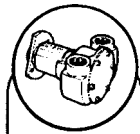
- 5.8 gpm (22 lpm) at 10ft (3m) total head @ 1750 rpm.
- Self-priming to 10ft (3m) vertical lift.
- Lip seal.
- Neoprene impeller fitted as standard.
- Two single row ball bearings.

Fitting: 3/8" NPT.

Size: 5 1/16" long x 3 1/2" wide x 3 3/16" high.

Weight: 1 1/2 lb (0.7 kg)

5320-0011 Pump with neoprene impeller, full cam and lip seal.



1673 Series

This pump offers all the benefits of flexible impeller pumps in a compact size with moderate flow rate and horizontally oriented ports.

- 11.3 gpm (43 lpm) at 10ft (3m) total head @ 1750 rpm.
- Self-priming to 10ft (3m) vertical lift.
- Lip seal.
- Neoprene or nitrile impeller.
- Two single row ball bearings.

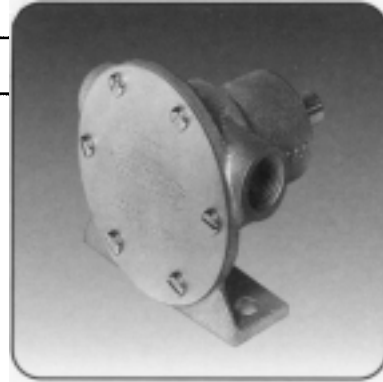
Fitting: 1/2" NPT.

Size: 4 1/16" long x 4 1/8" wide x 3 13/16" high.

Weight: 4 1/4 lb (2 kg).

1673-1001 Pump with neoprene impeller, full cam and lip seal.

1673-1003 Pump with nitrile impeller, full cam and lip seal.



3890-9011

This pump offers all the benefits of flexible impeller pumps in a compact size with moderate flow rate and vertically oriented ports.

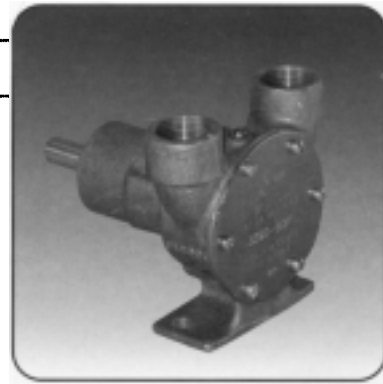
- 11.3 gpm (43 lpm) at 10ft (3m) total head @ 1750 rpm.
- Self-priming to 10ft (3m) vertical lift .
- Mechanical face seal.
- Neoprene impeller fitted as standard.
- Double-row ball bearing.

Fitting: 1/2" NPT.

Size: 5 1/16" long x 4" wide x 4" high

Weight: 4 lb (1.8 kg).

3890-9011 Pump with neoprene impeller, full cam and mechanical seal



5330-9101

This pump offers all the benefits of flexible impeller pumps in a mid-size package with substantial flow rate and vertically oriented ports.

- 26 gpm (98 lpm) at 10ft (3m) total head @ 1750 rpm (full cam model).
- Self-priming to 10ft (3m) vertical lift.
- Mechanical face seal.
- Neoprene impeller fitted as standard.
- Double-row ball bearing.

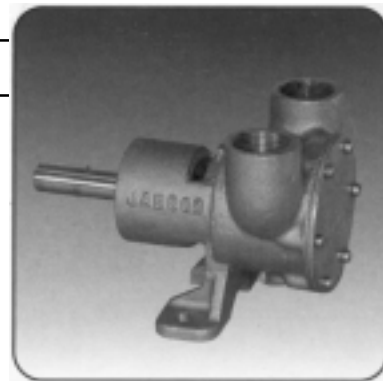
Fitting: 1" NPT.

Size: 7" long x 4 1/4" wide x 4" high.

Weight: 7 lb (3.2 kg).

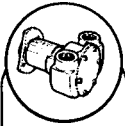
5330-9101 Pump with neoprene impeller, full cam and mechanical seal

5330-9001 Pump with neoprene Impeller, 2/3 cam and mechanical seal



Pulley Driven
Pumps

Flexible Impeller Pumps -



Pulley Driven
Pumps

Flexible Impeller Pumps -



777 Series

This pump offers all the benefits of flexible impeller pumps in a mid-size package with substantial flow rate and horizontally oriented ports.

- 26 gpm (98 lpm) at 10ft (3m) total head @ 1750 rpm.
- Self-priming to 10ft (3m) vertical lift.
- Lip seal or mechanical face seal models available.
- Neoprene or nitrile impeller.
- Double-row ball bearing.

Fitting: 1" NPT.

Size: 6¹/₁₆" long x 4¹/₁₆" wide x 3¹/₁₆" high.

Weight: 6.2 lb (2.8 kg).

- 777-0001 Pump with neoprene impeller, full cam and lip seal.
- 777-0003 Pump with nitrile impeller, full cam and lip seal.
- 777-9001 Pump with neoprene impeller, full cam and mechanical seal.
- 777-9003 Pump with nitrile impeller, full cam and mechanical seal.
- 777-9051 Pump with neoprene impeller, half cam and mechanical seal.



6400 Series

This pump offers all the benefits of flexible impeller pumps in a mid-size package with substantial flow rate and horizontally oriented ports.

- 62 gpm (235 lpm) at 10ft (3m) total head @ 1750 rpm.
 - Self-priming to 10ft (3m) vertical lift.
 - Mechanical face seal.
 - Neoprene or nitrile impeller.
 - Double-row ball bearing.
- Fitting: 1¹/₄" NPT.

Size: 8¹/₁₆" long x 5¹/₁₆" wide x 4¹/₁₆" high.

Weight: 10¹/₂ lb (4.8 kg).

- 6400-0004 Pump with neoprene impeller, full cam and mechanical seal.
- 6400-0051 Pump with neoprene impeller, half cam and mechanical seal.
- 6400-1051 Pump with neoprene impeller, half cam, mechanical seal, and short shaft for caterpillar engines.



7420 Series

This pump offers all the benefits of flexible impeller pumps in a mid-size package with substantial flow rate and vertically oriented ports.

- 62 gpm (235 lpm) at 10ft (3m) total head @ 1750 rpm.
- Self-priming to 10ft (3m) vertical lift.
- Mechanical face seal.
- Neoprene impeller.
- Double-row ball bearing.

Fitting: 1¹/₄" NPT.

Size: 8¹/₁₆" long x 5¹/₁₆" wide x 5¹/₁₆" high.

Weight: 10¹/₂ lb (4.8 kg).

- 7420-0004 Pump with neoprene impeller, full cam and mechanical seal.
- 7420-1001 Pump with neoprene impeller, full cam, mechanical seal, and short shaft for caterpillar engines.



18370-0000

This pump is the largest pedestal mount flexible impeller utility type pump and provides the greatest flow rate and horizontally oriented ports.

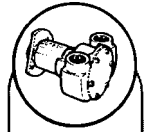
- 83 gpm (314 lpm) at 10ft (3m) total head @ 1750 rpm.
- Self-priming to 10ft (3m) vertical lift.
- Mechanical face seal.
- Neoprene or nitrile impeller.
- Two single row ball bearings.

Fitting: 2" NPT.

Size: 10¹/₈" long x 8" wide x 5¹/₁₆" high.

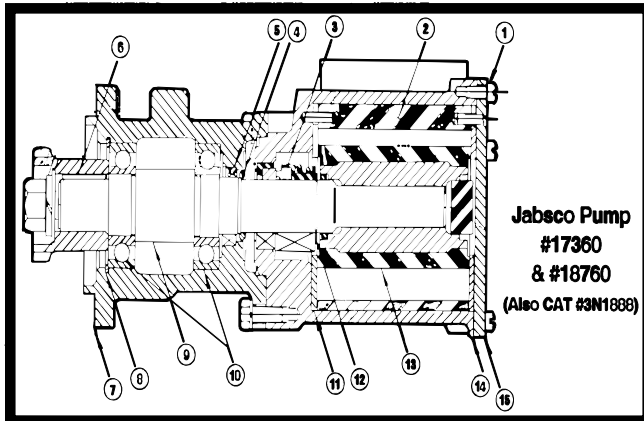
Weight: 19 lb (8.6 kg).

- 18370-0000 Pump with neoprene impeller, full cam and mechanical seal.



DETROIT DIESEL PUMP PARTS

8V92TA & 16V92TA

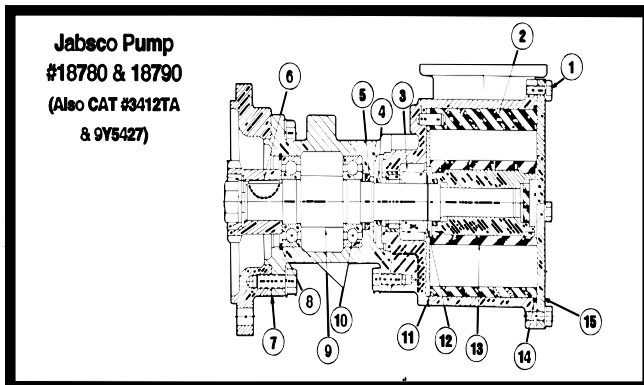


KEY	JABSCO #	DETROIT DIESEL #	QTY	DESCRIPTION
1	91005-0040	23501649	6	Cover Screw
2	17374-1000	8927571	1	Cam Ring
3	96080-0371	8927573	1	Mechanical Seal
4	18754-1004	23501652	1	O-Ring
5	92701-0180	—	1	Bearing Seal
6	91402-0230	23501664	1	Key
7	DD 23501662	23501662	1	Mounting Gasket
8	18725-0000	23501656	1	Snap Ring
9	17366-1000	8927572	1	Shaft
10	18752-0000	8927574	2	Ball Bearing
11	17372-1000	8927568	2	Wear Plate
12	18721-0000	23501653	1	Seal Snap Ring
13	17370-0001	8927570	1	Impeller
14	17365-1000	23501648	1	Gasket
15	17378-1000	8927569	1	Cover
	91112-6020	23501650	1	Pin (Wearplate)

Detroit Diesel Pump #'s 8923363, 23507475, 23507476, 23507477, 23507973

6 Cover Screws / Double Flat Impeller Drive

12V71TI & 12V92TA



KEY	JABSCO #	DETROIT DIESEL #	QTY	DESCRIPTION
1			4	Cover Screw
2	18785-0000	23502089	1	Cam Ring
3	96080-0371	8927573	1	Mechanical Seal
4	18754-1004		1	O-Ring
5	92701-0180	23502092	1	Bearing Seal
6	91402-0230	23506164	1	Key
7	DD 23501662	23501662	1	Mounting Gasket
8	18725-0000	23501656	1	Snap Ring
9	17366-1000	8927572	1	Shaft
10	18752-0000	8927574	2	Ball Bearing
11	18787-0000	23502091	1	Wear Plate
12	18721-0000		1	Seal Snap Ring
13	18786-0001	23502086	1	Impeller
14	18785-ORING		1	O-Ring
15	18784-2000	23502090	1	Cover

Detroit Diesel Pump # 8927296

4 Cover Screws / Double Flat Impeller Drive

Phone: 800-225-0004 Fax: 908-486-1056
e-mail: sales@sealandpower.com

Service Parts - Flexible Impeller Pumps

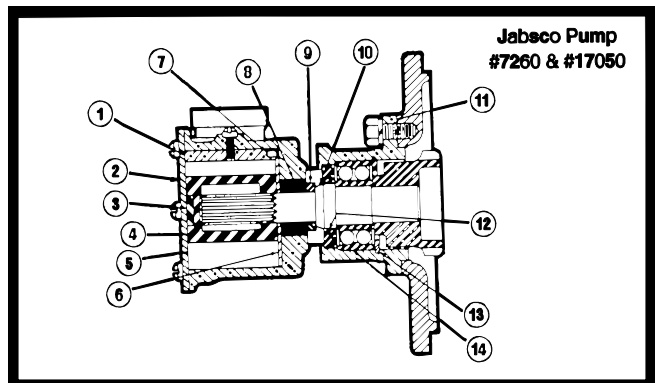


DETROIT DIESEL PUMP PARTS

Service Parts - Flexible Impeller Pumps

KEY	JABSCO #	DETROIT DIESEL #	QTY	DESCRIPTION
1	CAM OPTIONS			
	934-0000	8297519	1	Cam (without pin)
	7867-0000	5196696	1	Cam (with pin)
2	11831-0000	5193331/8927516	1	Cover
	91003-0010	8927518	6	Cover Screw
3	920-0001	5196623/5193602	1	Impeller
4	890-0000	8927517	1	Gasket
5	4156-0000	5195753	1	Wearplate
7	CAM SCREW			
	91004-0090	8927520	1	Screw for 934-0000
	91003-0020		1	Screw for 7867-0000
8	SEAL OPTIONS			
	96090-0080	8927526/5199150	1	Mechanical Seal
	92700-0060	5194216	1	Lip Seal (1-1/8" Dia.)
	92700-0070	5193599	1	Lip Seal (1-3/8" Dia.)
	3180-0000	5193675	1	Slinger
9	DD 5196515		1	Shaft
10	DD 5196513	5196513	1	Flange Gasket
11	913-0000	5195019	1	Bearing Seal
12	18724-0000	8927523/5193391	1	Retaining Ring
13	92600-0060	8927522	1	Ball Bearing
14	DD 5122648	5122648	2	Port Gaskets

3-53, 4-53 & 4-71

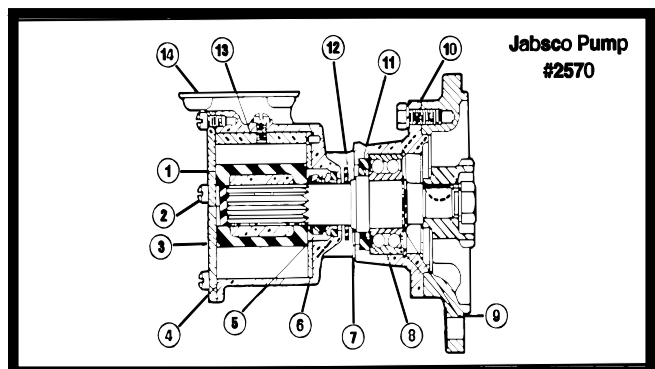


Detroit Diesel Pump #'s 5145578, 5145577, 5145576

6 Cover Screws / Spline Impeller Drive

KEY	JABSCO #	DETROIT DIESEL #	QTY	DESCRIPTION
1	17935-0001	5193553/8924838	1	Impeller
2	91005-0040	23504236	5	Cover Screw
3	12062-0000	5193555	1	Cover
4	816-0000	5193562	1	Gasket
5	6408-0000	5193419	1	Mechanical Seal
6	2574-0000	5193556	1	Wear Plate
7	2567-0500	5193552	1	Shaft
8	92600-0040	954799	1	Ball Bearing
9	18711-0000	5193569	1	Small Snap Ring
	18712-0000	9415285	1	Large Snap Ring
10	DD 23501662	23501662	1	Mounting Gasket
11	817-0000	5195101	1	Bearing Seal
12	3181-0000	5193676	1	Slinger
13	894-0001	5193554	1	Cam
	91005-0040	23504236	1	Cam Screw
14	DD 5115395	5115395	2	Port Gaskets

6-53, 6-71 & 8-53



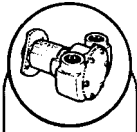
Detroit Diesel Pump #'s 23507971, 5186250, 5107480, 23501083, 2313002, 5137208, 5115396

5 Cover Screws / 2 1/2" Impeller Depth

Phone: 800-225-0004 Fax: 908-486-1056
e-mail: sales@sealandpower.com

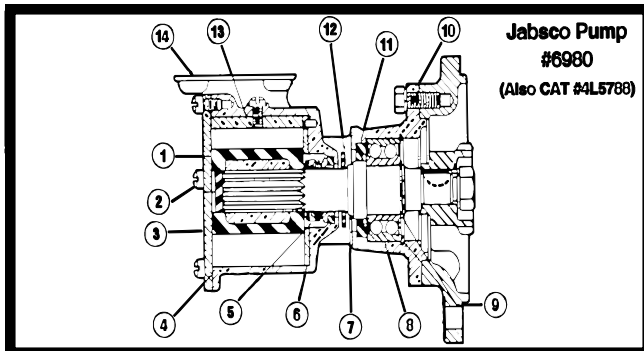


DETROIT DIESEL PUMP PARTS



Service Parts - Flexible Impeller Pumps

6-71TI, 8-71 & 12-71

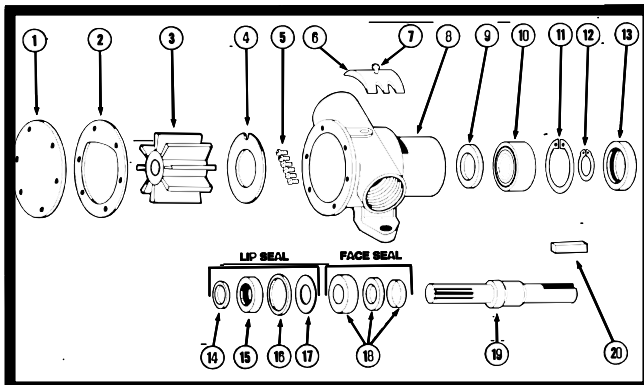


KEY	JABSCO #	DETROIT DIESEL #	QTY	DESCRIPTION
1	17936-0001	5196168/8924839	1	Impeller
2	91005-0040	23504236	5	Cover Screw
3	12082-0000	5193555	1	Cover
4	816-0000	5193562	1	Gasket
5	6408-0000	5198419	1	Mechanical Seal
6	2574-0000	5193556	1	Wear Plate
7	6987-0500	5196169	1	Shaft
8	519BRG		1	Ball Bearing
9	18718-0000	5196171	1	Snap Ring
	91402-0230	5197611	1	Key
10	DD 23501662	23501662	1	Mounting Gasket
11	817-0000	5195101	1	Bearing Seal
12	3181-0000	5193676	1	Slinger
13	6988-0000	5196167	1	Cam
	91005-0040	23504236	1	Cam Screw
14	DD 5115395	5115395	2	Square Port Gasket
	DD 5112143	5112143	2	Round Port Gasket

Detroit Diesel Pump #'s 23507972, 5122599, 5106013, 8924265, 23501769

5 Cover Screws / 3 1/2" Impeller Depth

8.2 LITER



Key	Description	Model 777-9001
1	End Cover	11831-0000
2	*Gasket	890-0000
3	*Impeller - Neoprene, Brass Insert Nitrile, Brass Insert	920-0001 —
4	Wearplate	4156-0000
5	Screw (End Cover)	91003-0010
6	Cam (Brass)	934-0000
7	Screw (Cam)	91004-0090
8	Body	798-0020
9	Bearing Seal (Inner)	913-0000
10	Ball Bearing	92600-0060
11	Retaining Ring (Brg. to Body)	18724-0000
12	Retaining Ring (Brg. to Shaft)	18713-0000
13	Bearing Seal (Outer)	914-0000
14	†Seal Spacer	—
15	*Seal (Lip)	—
16	*O - Ring	—
17	Slinger	—
18	*Seal (Face)	96080-0080
19	Shaft	6718-0000
20	Key	9215-0000
	Service Kit (Not Shown)	90118-0001

6 Cover Screws / Spline Impeller Drive

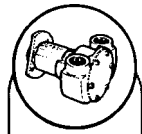
Phone: 800-225-0004 Fax: 908-486-1056
e-mail: sales@sealandpower.com




Service Parts - Flexible Impeller Pumps

MODEL NUMBER	SERVICE KIT	IMPELLER*	GASKET*	SEAL*	CAM	END COVER
777-0001	90010-0001	17937-0001	890-0000	92700-0060	934-0000	11831-0000
777-0003	90010-0003	920-0003	890-0000	92700-0060	934-0000	11831-0000
777-9001	90118-0001	17937-0001	890-0000	96080-0080	934-0000	11831-0000
777-9003	90118-0003	920-0003	890-0000	96080-0080	934-0000	11831-0000
777-9004	90118-0001	17937-0001	890-0000	96080-0080	934-0000	11831-0000
777-9005	90118-0003	920-0003	890-0000	96080-0080	934-0000	11831-0000
777-9051	90118-0001	17937-0001	890-0000	96080-0080	2431-0000	11831-0000
1673-0001	90015-0001	1210-0001	1835-0000	92700-0060	490-0000	11836-0000
1673-0003	90015-0003	1210-0003	1835-0000	92700-0060	490-0000	11836-0000
1673-1001	90015-0001	1210-0001	18753-0133†	92700-0060	490-0001	11836-0000
1673-1003	90015-0003	1210-0003	18753-0133†	92700-0060	490-0001	11836-0000
1673-9001	90119-0001	1210-0001	1835-0000	96080-0080	490-0000	11836-0000
1673-9003	90119-0003	1210-0003	1835-0000	96080-0080	490-0000	11836-0000
1673-9051	90119-0001	1210-0001	1835-0000	96080-0080	2434-0000	11836-0000
2300-9001	90118-0001	17937-0001	890-0000	96080-0080	934-0000	11831-0000
2300-9003	90118-0003	920-0003	890-0000	96080-0080	934-0000	11831-0000
2300-9004	90118-0001	17937-0001	890-0000	96080-0080	934-0000	11831-0000
2300-9005	90118-0003	920-0003	890-0000	96080-0080	934-0000	11831-0000
2620-0001	90020-0001	18673-0001	2995-0000	92700-0050	2907-0000	11830-0000
2620-0003	90020-0003	18673-0003	2995-0000	92700-0050	2907-0000	11830-0000
2620-0051	90020-0001	18673-0001	2442-0000	92700-0050	2441-0000	11830-0000
2620-0053	90020-0003	18673-0003	2442-0000	92700-0050	2441-0000	11830-0000
2620-1001	90020-0001	18673-0001	18753-0125†	92700-0050	2907-0000	11830-0000
2620-1003	90020-0003	18673-0003	18753-0125†	92700-0050	2907-0000	11830-0000
2760-0001	90023-0001	4528-0001	1189-0000	92700-0110	4271-0000**	12066-0000
2760-0003	90023-0003	4528-0003	1189-0000	92700-0110	4271-0000**	12066-0000
3200-0011	90029-0001	2999-0001	3209-0000	3222-0000	3210-0000	12069-0000
3270-0001	90033-0001	1210-0001	3298-0000	92700-0060	7884-0000**	11830-0000
3270-0003	N/A	1210-0001	5212-0000	92700-0060	5211-0000**	11830-0000
3290-9001	90111-0011	1210-0001	3298-0000	96080-0080	7884-0000**	11830-0000
3380-0001	90033-0001	1210-0001	5212-0000	92700-0060	5211-0000**	11830-0000
3480-9002	90111-0011	1210-0001	3298-0000	96080-0080	7884-0000**	11830-0000
3480-9011	90111-0011	1210-0001	3298-0000	96080-0080	7884-0000**	11830-0000
3590-9001	90118-0001	17937-0001	2432-0000	96080-0080	—	11831-0000
3890-9011	90111-0011	1210-0001	3298-0000	96080-0080	7876-0000	11830-0000
4530-0001	90001-0001	4528-0001	1126-0000	4539-0000	4538-0000	11835-0000
4530-0003	90001-0003	4528-0003	1126-0000	4539-0000	4538-0000	11835-0000
4540-0001	90002-0001	4527-0001	2995-0000	4549-0000	2907-0000	11830-0000
4540-0003	90002-0003	4527-0003	2995-0000	4549-0000	2907-0000	11830-0000
4560-0001	90003-0001	4568-0001	7083-0000	3791-0000	490-0001	4565-0000
4560-0003	90003-0003	4568-0003	7083-0000	3791-0000	490-0001	4565-0370
4590-0001	90004-0001	4598-0001	706-0010	3791-0000	17612-0000	4565-0000
4590-0003	90004-0003	4598-0003	706-0010	3791-0000	17612-0000	4565-0370
4620-0001	90004-0001	4598-0001	706-0010	3791-0000	17612-0000	4565-0000
4620-0003	90004-0003	4598-0003	706-0010	3791-0000	17612-0000	4565-0060
5320-0011	90044-0001	5616-0001	2995-0000	92700-0420	7895-0001	11830-0000
5330-9001	90118-0001	17937-0001	890-0000	96080-0080	7867-0000	11831-0000
5330-9101	90118-0001	17937-0001	890-0000	96080-0080	17612-0001	11831-0000
5560-0001	N/A	1210-0001	3298-0000	92700-0060	7607-0000**	11830-0000
5660-0001	N/A	1210-0001	3298-0000	92700-0060	7607-0000**	11830-0000
5850-0001	90033-0001	1210-0001	3298-0000	92700-0060	7884-0000**	11830-0000
6050-0001	90058-0001	17956-0001	890-0000	92700-0080	934-0000	11831-0000
6050-0003	90058-0003	6056-0003	890-0000	92700-0080	934-0000	11831-0000
6050-0253	90058-0003	6056-0003	890-0000	92700-0080	17248-0000	11831-0000
6050-0713	90058-0003	6056-0003	890-0000	92700-0080	17248-0000	11831-0000
6360-0001	90061-0001	6303-0001	1985-0010	93000-0100	2907-0000	12071-0000
6360-1001	90061-0001	6303-0001	18753-0104†	93000-0100	2907-0000	6791-1100
6360-1003	90061-0003	6303-0003	18753-0104†	93000-0010	2907-0000	6791-1100
6370-0001	90061-0001	6303-0001	1985-0010	93000-0100	2907-0000	12071-0000
6370-1001	90061-0001	6303-0001	18753-0104†	93000-0100	2907-0000	6791-1100
6380-0001	90061-0001	6303-0001	1985-0010	93000-0100	2907-0000	12071-0000
6380-1001	90061-0001	6303-0001	18753-0104†	93000-0100	2907-0000	6791-1100
6400-0001	90062-0001	17935-0001	816-0000	6407-0010	834-0001	12062-0000
6400-0004	90062-0001	17935-0001	816-0000	6407-0010	834-0001	12062-0000
6400-0051	90062-0001	17935-0001	816-0000	6407-0010	2551-0000	12062-0000
6400-1051	90062-0001	17935-0001	816-0000	6407-0010	2551-0000	12062-0000
6590-0001	90062-0001	17935-0001	816-0000	6407-0010	834-0001	12062-0000
6590-0003	90062-0003	836-0003	816-0000	6407-0010	834-0001	12062-0000
6590-0004	90062-0001	17935-0001	816-0000	6407-0010	834-0001	12062-0000
6590-0005	90062-0003	836-0003	816-0000	6407-0010	834-0001	12062-0000
6850-0001	90058-0001	6056-0001	890-0000	92700-0080	3255-0000	11831-0000
6850-0003	90058-0003	6056-0003	890-0000	92700-0080	3255-0000	11831-0000
7120-9001	90111-0001	1210-0001	3298-0000	96080-0080	7607-0000**	11830-0000
7320-9001	90111-0001	1210-0001	3298-0000	96080-0080	7607-0000**	11830-0000

Phone: 800-225-0004 ☎ Fax: 908-486-1056
e-mail: sales@sealandpower.com



Service Parts - Flexible Impeller Pumps

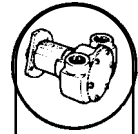
MODEL NUMBER	SERVICE KIT	IMPELLER*	GASKET*	SEAL*	CAM	END COVER
7420-0001	90062-0001	17935-0001	816-0000	6407-0010	834-0000	12062-0000
7420-0003	90062-0003	836-0003	816-0000	6407-0010	834-0000	12062-0000
7420-0004	90062-0001	17935-0001	816-0000	96080-0330	—	—
7420-0005	90062-0003	836-0003	816-0000	96080-0330	—	—
7420-1001	90062-0001	17935-0001	816-0000	1040-0000	—	—
8170-9001	90118-0001	17937-0001	3101-0000	93000-0100	—	12076-0000
8470-0711	90177-0001	3085-0001	8509-0000	1040-0000	—	11833-0000
8470-0911	90177-0001	3085-0001	8509-0000	6407-0010	834-0000	12062-0000
8830-0701	90117-0121	3085-0001	8641-0000	6407-0010	834-0000	12062-0000
8830-0711	90117-0121	3085-0001	8641-0000	6407-0010	834-0000	12062-0000
8850-0001	90092-0007	14750-0001	7828-0000	96080-0080	3255-0000	11831-0000
8860-0001	90092-0007	14750-0001	7828-0000	96080-0080	8528-0000	12065-0000
8870-0001	90092-0007	14750-0001	7828-0000	96080-0080	8528-0000	12065-0000
8880-0001	90092-0007	14750-0001	7828-0000	96080-0080	8528-0000	11839-0000
9900-0001	90211-0001	18673-0001	10187-0000	96080-0080	8089-0000	11839-0000
10170-0011	90133-0001	1210-0001	10183-0000	93000-0100	8089-0000	12076-0000
		11979-0001	10184-0000	93000-0100	8089-0000	12076-0000
10190-0011	90134-0001	1210-0001	10183-0000	93000-0100	8089-0000	12076-0000
		3085-0001		93000-0100	8089-0000	12076-0000
		5929-0001	3298-0000	92701-0040	10818-0000	9905-0000
11810-0001	90105-0001	5929-0001	3298-0000	96080-0080	490-0000	—
11810-0003	90105-0003	5929-0003	3298-0000		10182-0000	—
11810-0121	90105-0001	5929-0001	3298-0000		490-0000	—
11810-0241	90105-0001	5929-0001	3298-0000	96080-0080	490-0000	—
11810-0321	90105-0001	5929-0001	3298-0000		490-0000	—
11810-1101	90105-0001	5929-0001	3298-0000	92700-0420	490-0001	11830-0000
11850-0701	90117-0001	1210-0001	8641-0000	92700-0420	490-0001	11830-0000
11850-0711	90117-0001	1210-0001	8641-0000	92700-0420	490-0001	11830-0000
11860-0001	90118-0001	17937-0001	890-0000	92700-0420	490-0001	11830-0000
11860-0003	90118-0003	920-0003	890-0000	92700-0420	490-0001	11830-0000
11860-0004	90118-0001	17937-0001	890-0000	92700-0420	490-0001	11830-0000
11860-0005	90118-0003	920-0003	890-0000	96080-0080	8528-0000	12346-0000
11860-0006	90118-0001	17937-0001	890-0000	96080-0080	8528-0000	12346-0000
11860-0007	90118-0001	17937-0001	890-0000	96080-0080	934-0000	11831-0000
11870-0001	90062-0001	17935-0001	816-0000	96080-0080	934-0000	11831-0000
11870-0003	90062-0003	836-0003	816-0000	96080-0080	934-0000	11831-0000
11870-0004	90062-0001	17935-0001	816-0000	96080-0080	934-0000	11831-0000
11870-0005	90062-0003	836-0003	816-0000	96080-0080	934-0000	11831-0000
11870-0006	90062-0001	17935-0001	816-0000	96080-0080	934-0000	11831-0000
11870-0007	90062-0003	836-0003	816-0000	6407-0010	834-0000	12062-0000
12050-0001	90117-0121	3085-0001	8641-0080	6407-0010	834-0000	12062-0000
12210-0001	90092-0007	14750-0001	7828-0000	6407-0010	834-0000	12062-0000
12210-0003	90092-0004	14750-0003	7828-0000	6407-0010	834-0000	12062-0000
12280-0001	90155-0001	17937-0001	12288-0000	6407-0010	834-0000	12062-0000
12290-0001	90126-0002	7273-0001	12558-0000	6407-0010	834-0000	12062-0000
12310-0001	90158-0000	14792-0001	92000-0750†	92700-0060	8528-0000	12064-0000
12460-0011	90158-0051	14750-0001	92000-0750†	93000-0100	8089-0000	12076-0000
12510-0001	90106-0001	9200-0001	9156-0010	93000-0100	8089-0000	12076-0000
12510-0003	90106-0013	9200-0003	9156-0010	96080-0080	—	12294-0000
12520-0001	90061-0002	7273-0001	1985-0011	1040-0000	—	12555-0000
12520-0003	90061-0002	7273-0001	1985-0011	1040-0000	—	12375-0000
12520-1001	90061-0023	7273-0003	18753-0104†	1040-0000	—	—
12520-1003	90061-0023	7273-0003	18753-0104†	1040-0000	—	11833-0000
12550-0001	90126-0001	6303-0001	12558-0000	1040-0000	—	11833-0000
12560-0001	90126-0001	6303-0001	12558-0000	93000-0100	2907-0000	12071-0000
12570-0001	90126-0001	6303-0001	12558-0000	93000-0100	2907-0000	12071-0000
12580-0001	90126-0001	6303-0001	12558-0000	93000-0100	2907-0000	6791-1100
12590-0001	90126-0001	6303-0001	12558-0000	93000-0100	2907-0000	6791-1100
12590-0011	90126-0002	7273-0001	12558-0000	1040-0000	—	12555-0000
12600-0001	—	17935-0001	12608-0000	1040-0000	—	12555-0000
14210-0001	90111-0001	1210-0001	3298-0000	1040-0000	—	12555-0000
14940-0001	90158-0001	1414-0001	92000-0750†	1040-0000	—	12555-0000
16360-0003	90061-0003	6303-0003	1985-0010	1040-0000	—	12555-0000
16360-1003	90061-0003	6303-0003	18753-0104†	1040-0000	—	12555-0000
16380-0001	90061-0003	6303-0003	1985-0010	6408-0000	12176-0000	12179-0000
16380-1003	90061-0003	6303-0003	18753-0104†	96080-0080	6148-0000	11830-0000
17100-Series	90179-0001	17937-0001	17106-0000	1040-0000	—	—
17120-0001	90178-0001	4528-0001	9156-0010	93000-0100	2907-0000	12071-0000
17200-0001	N/A	11979-0001	10184-0000	93000-0100	2907-0000	6791-1100
17260-0003	N/A	6303-0001	17269-0000	93000-0100	2907-0000	12071-0000
17260-0023	N/A	6303-0001	17269-0000	93000-0100	2907-0000	6791-1100
17260-0033	N/A	6303-0001	17263-0000	96080-0080	—	17232-0000
17360-1001	90190-0001	17370-0001	17365-1000	92700-0060	4538-0000	11833-0000
17410-Series	90187-0012	1210-0001	17408-0000	96080-0080	10182-0000	14937-0000
17440-0001	90181-0001	17937-0001	17445-0000	1040-0000	—	—

Phone: 800-225-0004 Fax: 908-486-1056
e-mail: sales@sealandpower.com




Service Parts - Flexible Impeller Pumps

MODEL NUMBER	SERVICE KIT	IMPELLER*	GASKET*	SEAL*	CAM	END COVER
17460-0003	N/A	7273-0001	18596-1000	1040-0000	—	—
17600-0001	—	17486-0001	17638-0000	1040-0000	—	—
17630-0001	N/A	17486-0001	17638-0000	96080-0371	17374-1000	17378-1000
17800-0000	90158-0003	1414-0003	92000-0750†	96080-0080	—	17232-0000
17800-1000	90092-0004	14750-0003	7828-0000	96080-0080	2431-0000	—
17820-0012	—	9200-0023	9156-0010	1040-0000	—	—
17820-0024	—	9200-0023	9156-0010	1040-0000	—	11833-0000
17830-0012	90106-0023	9200-0023	9156-0010	18753-0384	—	18647-0000
17830-0024	90106-0023	9200-0023	9156-0010	18753-0384	—	18647-0000
18300-0000	90254-0001	17936-0001	816-0000	6408-0000	6988-0000	12062-0000
18310-0000	90254-0003	6760-0003	816-0000	6408-0000	6988-0000	12062-0000
18320-0000	90254-0001	17936-0001	816-0000	6408-0000	6988-0000	12062-0000
18320-0001	90254-0001	17936-0001	816-0000	6408-0000	6988-0000	12062-0000
18320-0002	90254-0001	17936-0001	816-0000	6408-0000	6988-0000	12062-0000
18330-0000	90254-0003	6760-0003	816-0000	6408-0000	6988-0000	12062-0000
18330-0001	90254-0003	6760-0003	816-0000	6408-0000	6988-0000	12062-0000
18330-0002	90254-0003	6760-0003	816-0000	6408-0000	6988-0000	12062-0000
18340-0000	90254-0001	17936-0001	816-0000	6408-0000	6988-0000	12062-0000
18370-0000	90254-0001	17936-0001	816-0000	6408-0000	6988-0000	12062-0000
18510-0000	—	18515-0000	18516-0000	1040-0001	—	18514-0000
18510-0001	—	18515-0000	18516-0000	1040-0001	—	18514-0000
18510-0002	—	18515-0000	18516-0000	1040-0001	—	18514-0000
18510-0020	—	18526-0000	18516-0000	96080-0552	—	18514-0000
18510-0021	—	18526-0000	18516-0000	96080-0552	—	18514-0000
18520-0000	—	18556-0000	18557-0000	96080-0375	—	—
18530-0000	—	18566-0000	18567-0000	96080-0375	—	—
18540-0000	—	18576-0000	18577-0000	96080-0375	—	—
18540-0001	—	18576-0001	18577-0000	96080-0375	—	—
18540-0002	—	18576-0002	18577-0000	96080-0375	—	—
18550-0000	—	18556-0000	18557-0000	96080-0375	—	—
18560-0000	—	18556-0000	18567-0000	96080-0375	—	—
18570-0000	—	18576-0000	18577-0000	96080-0375	—	—
18570-0001	—	18576-0001	18577-0000	96080-0375	—	—
18570-0002	—	18576-0002	18577-0000	96080-0375	—	—
18580-0002	—	18515-0000	18516-0000	1040-0001	—	—
18590-0000	18598-0000	6303-0003	18596-1000	1040-0000	—	—
18590-0001	18598-0000	6303-0003	18596-1000	1040-0000	—	—
18590-0002	18598-0000	6303-0003	18596-1000	1040-0000	—	—
18590-0010	18598-0010	6303-0003	18596-1000	1040-0000	—	—
18610-0001	90061-0032	7273-0001	18753-0660†	18753-0384	—	18647-0000
18620-0003	90092-0004	14750-0003	7828-0000	93000-0100	8089-0000	12076-0000
18620-0023	90092-0004	14750-0003	7828-0000	93000-0100	8089-0000	12076-0000
18660-0121	90061-0006	6303-0001	18753-0660†	18753-0384	—	18647-0000
18670-0123	90061-0031	6303-0003	18753-0660†	18753-0384	—	18647-0000
18670-0923	90061-0031	6303-0003	18753-0660†	18753-0384	—	18647-0000
18670-0943	90061-0031	6303-0003	18753-0660†	18753-0384	—	18647-0000
18690-0000	18598-0000	6303-0003	18596-1000	1040-0000	—	—
18690-0010	18598-0010	6303-0003	18596-1000	1040-0000	—	—
18800-1000	90269-0005	18815-0005	3298-0000	92700-0420	490-1000	11830-1000
18800-1001	90269-0005	18815-0005	3298-0000	92700-0420	490-1000	11830-1000
18800-1004	90269-0005	18815-0005	3298-0000	92700-0420	490-1000	11830-1000
18800-1005	90269-0005	18815-0005	3298-0000	92700-0420	490-1000	11830-1000
18800-4000	90269-0005	18815-0005	3298-0000	92700-0420	490-1000	11830-1000
18800-4001	90269-0005	18815-0005	3298-0000	92700-0420	490-1000	11830-1000
18800-4004	90269-0005	18815-0005	3298-0000	92700-0420	490-1000	11830-1000
18800-4005	90269-0005	18815-0005	3298-0000	92700-0420	490-1000	11830-1000
18825-0010	—	17937-0001	18753-0005†	96080-0080	18829-1000	—
18830-Series	90180-0001	1210-0001	18753-0005†	96080-0080	490-0001	—
18840-Series	90180-0001	1210-0001	18753-0005†	96080-0080	490-0001	—
18930-Series	90184-0001	11979-0001	18753-0005†	96080-0080	10182-0000	—
18940-Series	90184-0001	11979-0001	18753-0005†	96080-0080	10182-0000	—
22110-0201	—	22120-0001	18753-0660†	—	—	22114-0000
22110-0251	—	22120-0001	18753-0660†	—	—	22114-0000
22110-0301	—	22120-0001	18753-0660†	—	—	22114-0000
22110-0351	—	22120-0001	18753-0660†	—	—	22114-0000
22400-0201	—	22120-0001	18753-0656†	—	—	22114-0000
22400-0301	—	22120-0001	18753-0656†	—	—	22114-0000
22740-0050	—	22120-0001	3298-0000	96080-0080	22308-0000	11830-0000
22740-0151	—	22120-0001	3298-0000	96080-0080	22308-0000	11830-0000
22740-0251	—	22120-0001	3298-0000	96080-0080	22308-0000	11830-0000
22740-0301	—	22120-0001	3298-0000	92700-0060	18753-0090	11830-0000
22740-0351	—	22120-0001	3298-0000	92700-0060	22308-0000	11830-0000



Service Parts

MODEL NUMBER	SERVICE KIT	IMPELLER*	GASKET*	SEAL*	CAM	END COVER
23180-9000	18753-0089	—	18753-0086†	92701-0504	—	—
23180-9200	18753-0089	—	18753-0086†	92701-0504	—	—
23540-1200	90388-0000	—	18753-0162†	92701-0504	—	—
23540-1300	90388-0000	—	18753-0162†	92701-0504	—	—
23800-0201	—	22120-0001	3298-0000	92700-0060	18753-0090	11830-0000
23800-0251	—	22120-0001	3298-0000	92700-0060	22308-0010	11830-0000
23920-9403	—	6303-0003	X4020-257	SP2701-52	—	—
23920-9503	—	6303-0003	X4020-257	SP2701-52	—	—
23920-9213	—	7273-0003	X4020-257	SP8012-0301B	—	—
23920-9313	—	7273-0003	X4020-257	SP8012-0301B	—	—
30890-0000	90135-0001	30919-0001	18753-0343†	18753-0342	30929-1000	30914-1000
30910-0000	90135-0001	30919-0001	18753-0343†	18753-0342	30929-1000	30914-1000
30940-0001	90135-0001	30919-0001	18753-0343†	18753-0342	30929-1000	30914-1000
30940-0011	90135-0001	30919-0001	18753-0343†	18753-0342	30929-1000	30914-1000
42730-0000	90124-0001	18948-0001	18753-0030†	96080-0080	42737-1000	42738-1000
43210-0001	90196-0001	17954-0001	43205-1000	18753-0328	43176-1000	43208-1000
44720-0000	90158-0003	1414-0003	92000-0750	1040-0000	—	—
45710-0000	90200-0000	18753-0073/18253-0072††	18753-0071†	1040-0000	—	18753-0070
45710-0020	90200-0000	18753-0073/18253-0072††	18753-0071†	1040-0000	—	18753-0070
45710-1000	90200-0000	18753-0073/18253-0072††	18753-0071†	1040-0000	—	18753-0070
45710-1020	90200-0000	18753-0073/18253-0072††	18753-0071†	1040-0000	—	18753-0070
45710-2010	90200-0000	18753-0073/18253-0072††	18753-0071†	1040-0000	—	18753-0070
45740-0000	90200-0000	18753-0073/18253-0072††	18753-0071†	1040-0000	—	18753-0070



JABSCO also offers Searchlights, Water Pressure & Washdown Systems and Marine Sanitation Systems as well as many other fine products. Call us or checkout Jabsco's link on our website for more complete information.

