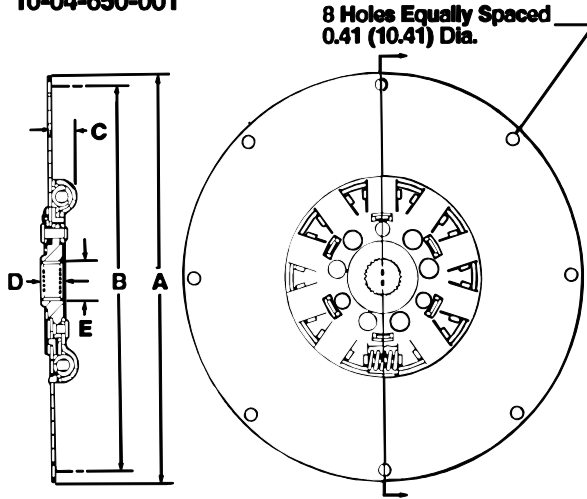
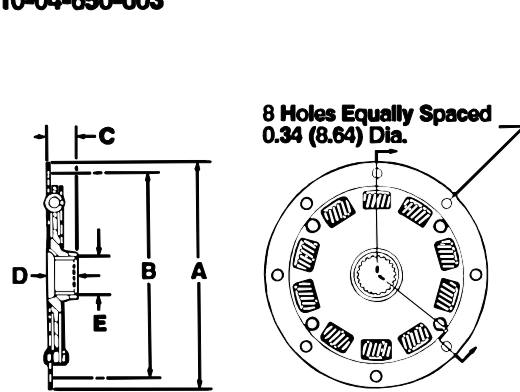


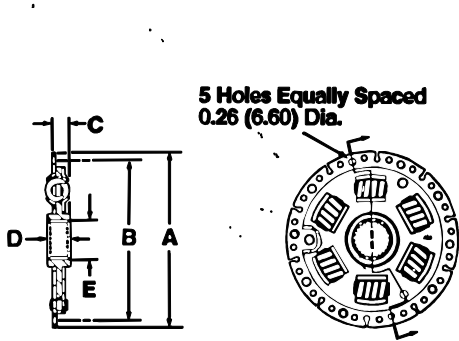
10-04-650-001



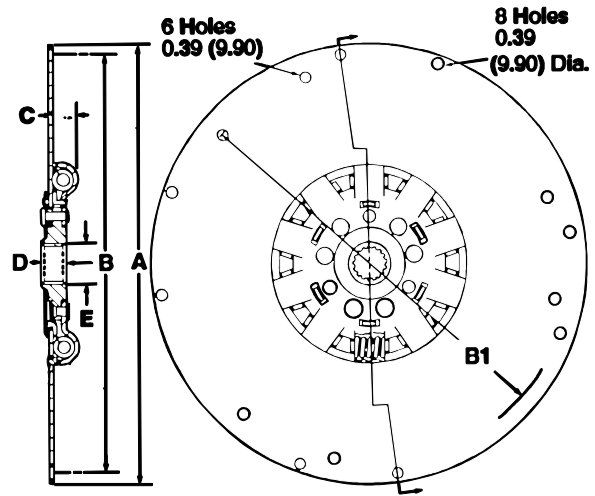
10-04-650-003



10-04-650-002



10-04-650-005

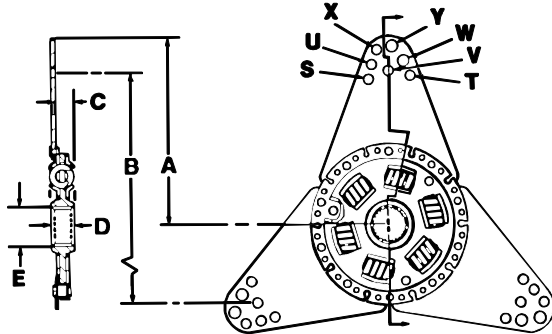


All specifications and descriptive data shown are nominal and subject to change without notice.

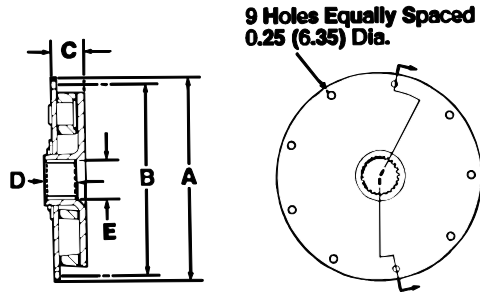
Damper Assembly Information Inches (millimeters)

Spring Damper Assembly Part Number	Dia. A	Dia. B	Dia. B1	Dim. C	Dim. D	Dia. E	Spline Teeth	Previous Part Number
10-04-650-001	13.87 (352.30)	13.13 (333.50)		0.99 (25.15)	0.80 (20.32)	1.35 (34.29)	26	
10-04-650-002	6.18 (157.97)	5.59 (141.99)		0.54 (13.72)	0.80 (20.32)	1.35 (34.29)	26	AS4-K1C
10-04-650-003	7.98 (202.69)	7.13 (181.10)		1.05 (26.67)	1.10 (27.94)	1.35 (34.29)	26	
10-04-650-005	15.00 (406.72)	14.50 (368.30)	13.25 (366.55)	0.51 (12.95)	0.80 (20.32)	1.35 (34.29)	26	AS3-K2C

10-04-650-006



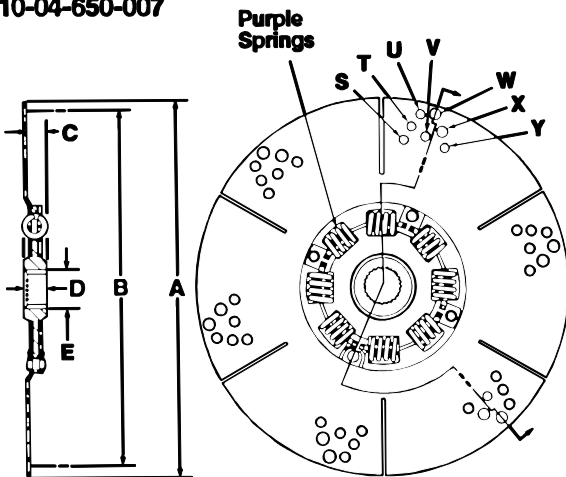
10-04-650-404



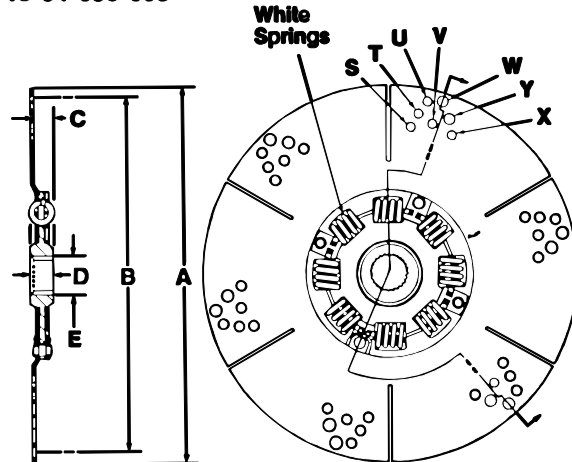
Bolt Circle Chart

Hole	S	T	U	V	W	X	Y
Dia. B	10.38 (263.65)	10.63 (270.00)	10.88 (276.35)	11.38 (289.05)	11.63 (295.40)	12.38 (314.45)	12.63 (320.80)
Hole Dia.	0.324 (8.25)	0.324 (8.25)	0.324 (8.25)	0.324 (8.25)	0.387 (9.86)	0.324 (8.25)	0.387 (9.86)

10-04-650-007



10-04-650-008



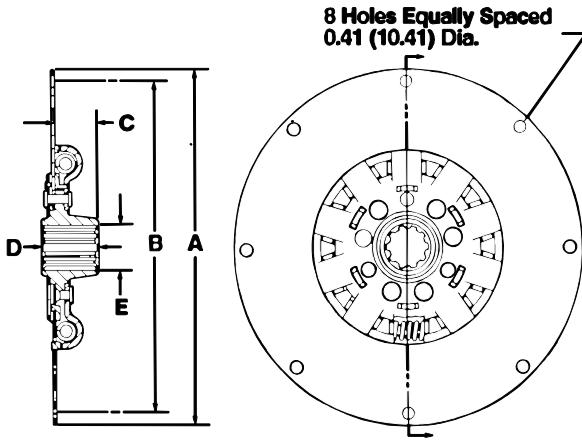
Damper Assembly Information Continued

	Spring Damper Assembly Part Number	Dia. A	Dia. B	Dim. C	Dim. D	Dia. E	Spine Teeth	Previous Part Number
(ET5)	10-04-650-006	6.66R (169.16)	See Chart	0.84 (21.34)	0.80 (20.32)	1.35 (34.29)	26	AS4-K2C
(ET7)	10-04-650-007	13.25 (336.55)	See Chart	0.80 (20.32)	0.80 (20.32)	1.35 (34.29)	26	AS7-K2C
	10-04-650-008	13.25 (336.55)	See Chart	0.80 (20.32)	0.80 (20.32)	1.35 (34.29)	26	AS5-K2C

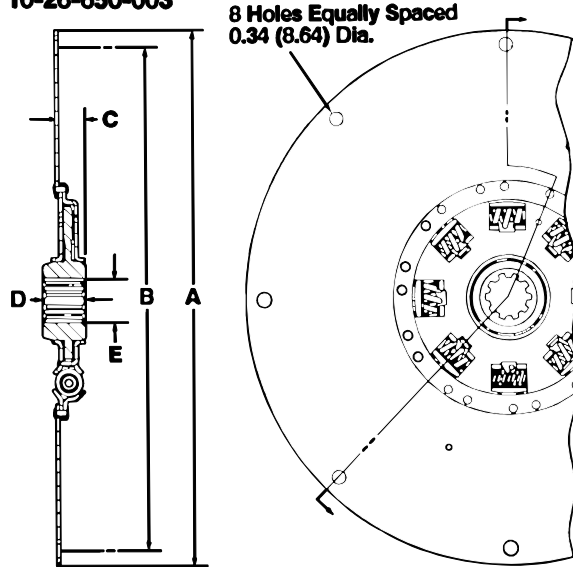
*Note: 1004-650-407 is not totally interchangeable with 1004-650-007. O.D. of 1004-650-407 is 14.25 (361.95).

Phone: 800-225-0004 ☎ Fax: 908-486-1056
e-mail: sales@sealandpower.com

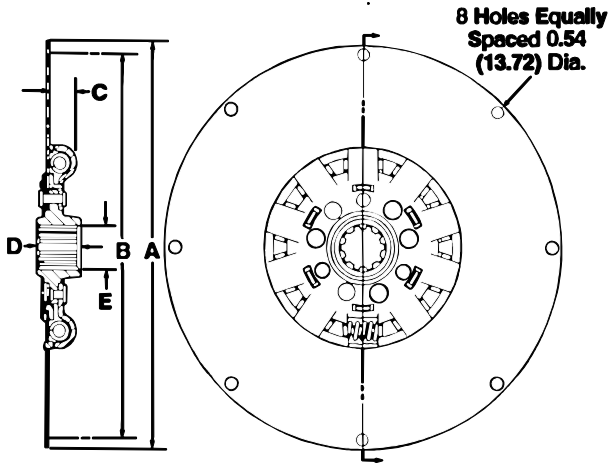
10-26-650-001



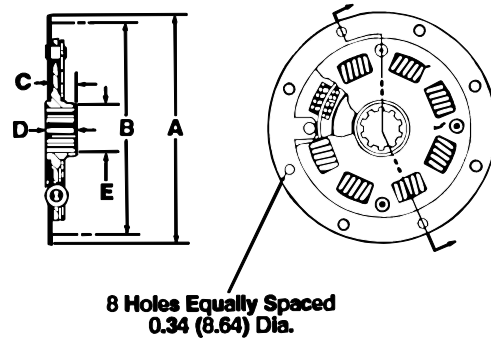
10-26-650-003



10-26-650-002



10-26-650-004



Damper Assembly Information Inches (millimeters)

Spring Damper Assembly Part Number	Dia. A	Dia. B	Dim. C	Dim. D	Dia. E	Spline Teeth	Polyurethane Assembly Part Number
10-26-650-001	12.37 (314.20)	11.63 (295.40)	1.57 (39.88)	1.94 (49.28)	1.52 (38.61)	10	10-26-650-401
10-26-650-002	13.87 (352.30)	13.13 (333.50)	1.19 (30.23)	1.56 (39.62)	1.52 (38.61)	10	10-26-650-402
10-26-650-003	18.37 (466.60)	17.25 (438.15)	0.89 (22.61)	1.47 (37.34)	1.52 (38.61)	10	10-26-650-403
10-26-650-004	7.98 (202.69)	7.13 (181.10)	1.02 (25.91)	1.22 (30.99)	1.51 (38.35)	10	10-26-650-404