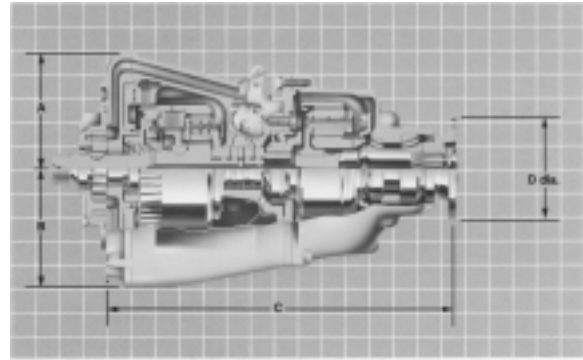


**In-Line**

The Velvet Drive® “71” and “72” designations indicate input horsepower ranges. There are two basic configurations of transmissions in the 71 and 72 ratings. The most popular model is the in-line unit. “In-line” indicates that the input and output shafts of the transmission are on the same axis.

Direct drive versions of the in-line models are frequently used on high horsepower, light weight boats. The reduction ratio versions use an additional planetary gear set to allow the use of larger propellers for greater pulling power at lower shaft speeds.



**Dimensions** Inches (millimeters)

Reduction Models	A	B	C	D dia.
71C (10-17)	5.63 (143.00)	5.69 (144.53)	16.89 (429.01)	5.00 (127.00)
72C (10-18)	5.63 (143.00)	5.69 (144.53)	17.79 (451.86)	5.00 (127.00)
Direct Drive Models	A	B	C	D dia.
71C (10-17)	5.63 (143.00)	5.69 (144.53)	10.50 (266.70)	4.00 (101.60)
72C (10-18)	5.63 (143.00)	5.69 (144.53)	11.44 (290.58)	5.00 (127.00)

**Model 71C (10-17) General Information**

Available Ratios ..... 1.00, 1.52, 1.88\*, 2.10, 2.57, 2.91 : 1.00  
 Shaft Rotation ..... output same as engine unless noted by asterisk (\*)  
 Approximate Dry Weight (direct drive) ..... 95 lbs. (43.1 kg)  
 Approximate Dry Weight (reduction) ..... 145 lbs. (65.8 kg)

**Model 72C (10-18) General Information**

Available Ratios ..... 1.00, 1.52, 1.88\*, 2.10, 2.57, 2.91 : 1.00  
 Shaft Rotation ..... output same as engine unless noted by asterisk (\*)  
 Approximate Dry Weight (direct drive) ..... 109 lbs. (49.4 kg)  
 Approximate Dry Weight (reduction) ..... 153 lbs. (69.4 kg)

Transmission Assembly Number	Previous Trans. Assembly Number	Transmission Ratio	
		Forward	Reverse
10-17-000-001	AS1-71C	1:1	1:1
10-17-000-002	AS1-71CR	1:1	1:1
10-17-000-003	AS1-71CB	1:1	1:1
10-17-000-004	AS1-71CBR	1:1	1:1
10-17-000-005	AS2-71C	1.52:1	1.52:1
10-17-000-006	AS2-71CR	1.52:1	1.52:1
10-17-000-007	AS7-71C	1.91:1	1.91:1
10-17-000-008	AS7-71CR	1.91:1	1.91:1
10-17-000-009	AS3-71C	2.10:1	2.10:1
10-17-000-010	AS3-71CR	2.10:1	2.10:1
10-17-000-011	AS14-71C	2.57:1	2.57:1
10-17-000-012	AS14-71CR	2.57:1	2.57:1
10-17-000-013	AS15-71C	2.91:1	2.91:1
10-17-000-014	AS15-71CR	2.91:1	2.91:1
10-17-000-015	AS20-71C	1:1	1:1
10-17-000-016	AS20-71CR	1:1	1:1
10-17-000-108	None	1.88:1	1.88:1

Transmission Assembly Number	Previous Trans. Assembly Number	Transmission Ratio	
		Forward	Reverse
10-18-000-001	AS11-72C	1:1	1.10:1
10-18-000-002	AS11-72CR	1:1	1.10:1
10-18-000-003	AS12-72C	1.52:1	1.68:1
10-18-000-004	AS12-72CR	1.52:1	1.68:1
10-18-000-106	None	1.88:1	2.07:1
10-18-000-005	AS17-72C	1.91:1	2.10:1
10-18-000-006	AS17-72CR	1.91:1	2.10:1
10-18-000-007	AS13-72C	2.10:1	2.31:1
10-18-000-008	AS13-72CR	2.10:1	2.31:1
10-18-000-009	AS14-72C	2.57:1	2.83:1
10-18-000-010	AS14-72CR	2.57:1	2.83:1
10-18-000-011	AS15-72C	2.91:1	3.20:1
10-18-000-012	AS15-72CR	2.91:1	3.20:1
10-18-000-013	AS20-72C	1:1	1.10:1
10-18-000-014	AS20-72CR	1:1	1.10:1
10-18-000-015	None	1:1	1.10:1
10-18-000-106	None	1:1	1.10:1
10-18-000-017	None	1:1	1.10:1

VELVET DRIVE offers several v-drive and down angle marine transmissions as well as the in-line models listed above. Call us for information on models not listed.

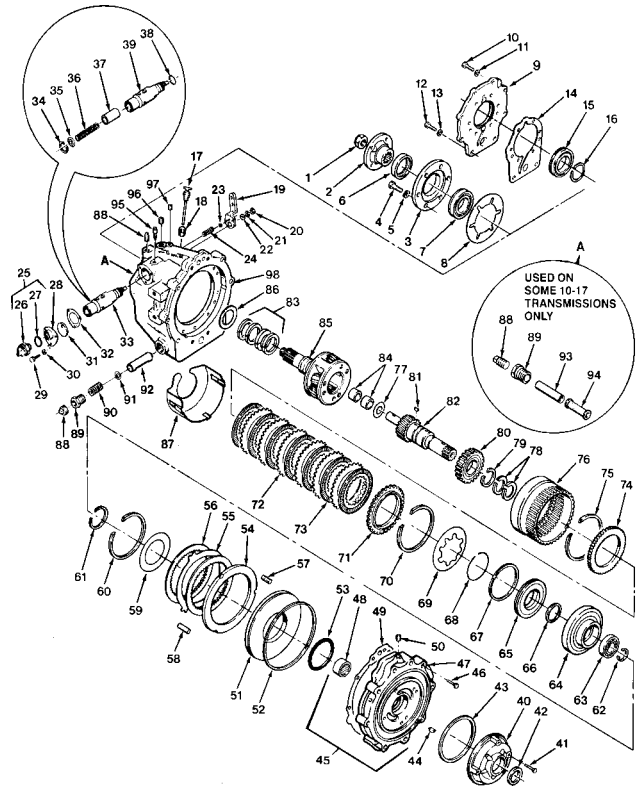
Phone: 800-225-0004 ☎ Fax: 908-486-1056  
 e-mail: sales@sealandpower.com



**Velvet Drive**<sup>®</sup>  
TRANSMISSIONS

INDEX NO.	PART NUMBER	DESCRIPTION	QTY
Fig.8	10-17-000-*	TRANSMISSION ASSEMBLY (MODEL 71C)	1
	10-18-000-*	TRANSMISSION ASSEMBLY (MODEL 72C)	1
1	4775L	• OUTPUT SHAFT NUT	1
2	4547BA	• COUPLING (10-17 ONLY)	1
2A	4547AY	• COUPLING (10-18 ONLY)	1
3	71-7	• BEARING RETAINER (10-17 ONLY)	1
3A	72-7	• BEARING RETAINER (10-18 ONLY)	1
4	0000179859	• HEX HEAD BOLT (7/16-14 X 1-1/4)	6
5	0000103322	• LOCKWASHER (7/16) (10-17 ONLY)	6
6	71C-110	• OIL SEAL	1
7	10-00-130-017	• BEARING (1 Pkg)	1
7A	10-00-130-018	• BEARING (10-17)	1
7B	B309AGS	• BEARING (10-18)	1
8	71-147	• BEARING RETAINER GASKET (10-17 ONLY)	1
8A	72-147	• BEARING RETAINER GASKET (10-18 ONLY)	1
9	**	• ADAPTER	1
9A	**	• ADAPTER	1
9B	**	• ADAPTER	1
10	**	• LOCK BOLT (7/16-14 X 7/8)	6
11	**	• LOCKWASHER (7/16) (10-18 ONLY)	6
11A	**	• LOCKWASHER (7/16) (10-17 ONLY)	6
12	**	• HEX HEAD BOLT (7/16-14 X 1-3/4)	2
13	**	• LOCKWASHER (7/16)	2
14	**	• ADAPTER GASKET	1
15	**	• BEARING	1
16	**	• RETAINING RING	1
17	10-17-559-001	• DIPSTICK (ADD DIRECT DRIVES EXCEPT -015 AND -016)	1
17A	10-13-559-001	• DIPSTICK TUBE (FOR -015 AND -016 MODELS, NO LONGER AVAILABLE)	1
18	20-01-034-003	• DIPSTICK TUBE	1
19	71-79B	• SHIFT LEVER	1
20	9418892	• HEX NUT (5/16-24)	1
21	0000108579	• LOCKWASHER (5/16)	1
22	0000103340	• FLATWASHER (5/16)	1
23	0000453632	• STEEL BALL (5/16)	1
24	71-42	• POPPET SPRING	1
25	10-00-640-004	• NEUTRAL SWITCH ASSEMBLY	1
26	NO NUMBER	• NEUTRAL SWITCH (NSS)	1
27	10-00-141-046	• O-RING	1
28	10-16-039-001	• VALVE COVER	1
29	0000179796	• HEX HEAD BOLT (1/4-20 X 1/2)	3
30	0000103319	• LOCKWASHER (1/4)	3
31	10-16-099-001	• SWITCH CAM	1
32	71-14	• VALVE COVER GASKET	1
33	71-A244A	• CONTROL VALVE ASSEMBLY	1
34	4821	• SNAP RING	1
35	71-246	• SPRING RETAINER	1
36	71-242	• VALVE SPRING	1
37	71-243	• REGULATOR VALVE	1
38	4804H	• O-RING	1
39	71-244A	• CONTROL VALVE	1
40	71C-A60	• PUMP ASSEMBLY	1
41	10-00-183-021	• HEX HEAD BOLT (5/16-18 X 1-3/8)	4
42	10-00-044-014	• OIL SEAL	1
43	3-61	• PUMP GASKET	1
44	4873	• WOODRUFF KEY	1
45	71C-A8	• FORWARD AND REVERSE ADAPTER ASSEMBLY	1
46	20-00-183-017	• CAPSCREW (3/8-16 X 1-1/4)	4
47	NO NUMBER	• FORWARD AND REVERSE ADAPTER (NSS)	1
48	4840D	• NEEDLE BEARING	1
49	71-144B	• GASKET	1
50	X1516H	• PIPE PLUG (1/4)	1
51	71-35	• REVERSE CLUTCH PISTON	1
52	4805A	• CLUTCH SEALING RING	1
53	4804G	• O-RING	1
54	71-71	• REVERSE CLUTCH PRESSURE PLATE	1
55	72-176	• STEEL CLUTCH PLATE	*0-2
56	72-A66B	• FRICTION CLUTCH PLATE	*1-3
57	71-97	• PRESSURE PLATE SPRING	11
58	71-87A	• DOWEL PIN (.312 DIA X .438 LONG)	3
58A	R8-177	• DOWEL PIN (.312 DIA X .621 LONG)	3
58B	4622E	• DOWEL PIN (.312 DIA X .875 LONG)	3
58C	10-00-043-031	• DOWEL PIN (.312 DIA X 1.000 LONG)	3
59	71-15B	• THRUSTWASHER	1
59A	10-16-193-001	• THRUSTWASHER	1
60	4822	• SNAP RING	1
61	R6A-7-1/2	• SNAP RING (10-17 ONLY)	1
61A	4766B	• SNAP RING (10-18 ONLY)	1
62	4734	• SNAP RING (10-17 ONLY)	1
62A	4559A	• SNAP RING (10-18 ONLY)	1
63	10-00-130-017	• BEARING (10-17 ONLY)	1
63A	10-00-130-016	• BEARING (10-18 ONLY)	1
64	71-70	• FORWARD CLUTCH CYLINDER (10-17 ONLY)	1
64A	72-70	• FORWARD CLUTCH CYLINDER (10-18 ONLY)	1
65	10-16-124-001	• FORWARD CLUTCH PISTON	1
65A	71-45	• FORWARD CLUTCH PISTON SUPERSEDED BY 10-16-124-001	1
66	5M-122	• O-RING	1
67	5L-36	• PISTON SEALING RING	1
68	5C-33	• CLUTCH SPRING BEARING RING	1
69	3-37	• CLUTCH BELLEVILLE SPRING	1
70	4755	• SNAP RING	1
71	5C-175A	• CLUTCH PRESSURE PLATE	1
72	10-16-166-001	• STEEL CLUTCH PLATE (10-17 ONLY)	4
72A	10-16-166-001	• STEEL CLUTCH PLATE (10-18 ONLY)	1
73	5C-A66A	• FRICTION CLUTCH PLATE (10-17 ONLY)	5
73A	5C-A66A	• FRICTION CLUTCH PLATE (10-18 ONLY)	7
74	5L-67	• CLUTCH PRESSURE PLATE	1
75	10-00-139-048	• SNAP RING (.033-.037 THICK) (10-17 ONLY) (Yellow)	1
75A	10-00-139-049	• SNAP RING (.050-.054 THICK) (10-17 ONLY) (Pink)	1
75B	4768	• SNAP RING (.050-.054 THICK) (10-18 ONLY) (Green)	1
75C	4768A	• SNAP RING (.074-.078 THICK) (10-18 ONLY) (Orange)	1
75D	4768B	• SNAP RING (.096-.100 THICK) (10-18 ONLY) (White)	1
75E	10-00-139-018	• SNAP RING (.062-.066 THICK) (10-18 ONLY) (Purple)	1

NSS - NOT SERVICED SEPARATELY, BUY NEXT HIGHER ASSEMBLY.



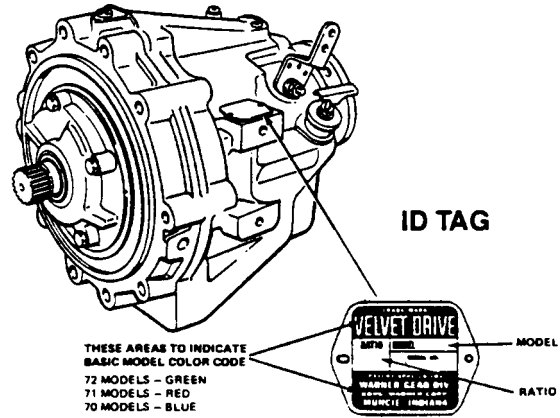
**71C-72C**

INDEX NO.	PART NUMBER	DESCRIPTION	QTY
76	71-6	• RING GEAR (10-17 ONLY)	1
76A	10-16-162-001	• RING GEAR (10-18 ONLY)	1
77	71-17	• THRUSTWASHER	1
78	4806J	• SEALING RING	2
79	4495	• SNAP RING	1
80	71-40	• FORWARD CLUTCH HUB (10-17 ONLY)	1
80A	10-16-179-001	• FORWARD CLUTCH HUB (10-18 ONLY)	1
81	0000218211	• WOODRUFF KEY (10-17 ONLY)	1
81A	0000124553	• WOODRUFF KEY (10-18 ONLY)	1
82	71C-3A16	• DRIVE GEAR ASSEMBLY (10-17 ONLY)	1
82A	72C-2A16	• DRIVE GEAR ASSEMBLY (10-18 ONLY)	1
83	4806B	• SEALING RING	4
84	71-9C	• BUSHING	2
85	10-17-659-***	• PINION CARRIER ASSEMBLY (10-17 ONLY)	1
85A	10-18-659-***	• PINION CARRIER ASSEMBLY (10-18 ONLY)	1
86	71-159	• THRUSTWASHER (USE W/BUSHING STYLE CASE)	1
86A	10-17-193-001	• THRUSTWASHER (USE W/SEALING RING STYLE CASE)	1
87	10-17-036-002	• OIL BAFFLE (USED ON 71C)	1
87A	10-18-036-001	• OIL BAFFLE (USED ON 72C)	1
88	10-00-191-002	• PLUG (3/8-18)	2
89	4885B	• DRYSEAL BUSHING (3/4-14)	1
90	5L-222	• SPRING, EARLY MODELS, NO LONGER USED	1
91	35-143	• FLAT WASHER, EARLY MODELS, NO LONGER USED	1
92	10-00-238-002	• OIL INLET SCREEN	1
93	71C-84	• OIL RETURN TUBE	1
94	71C-A98	• OIL STRAINER ASSEMBLY	1
95	A4740G	• BREATHER	1
96	0000444866	• PIPE PLUG (3/8-18)	1
97	0000444687	• PIPE PLUG (1/2-27)	1
98	10-17-565-***	• CASE (10-17 ONLY)	1
98A	10-18-565-***	• CASE (10-18 ONLY)	1

**Phone: 800-225-0004**    **Fax: 908-486-1056**  
**e-mail: sales@sealandpower.com**

## Inline Service Kits

**NOTE:** The following kits are available for the Model 71C and 72C transmissions. Index numbers shown match the index numbers on the exploded-view, Figure 8.



INDEX NO.	PART NUMBER	DESCRIPTION	QTY
	A4867AB	FORWARD CLUTCH PACK KIT (10-18 ONLY)	
71	5C-175A	• CLUTCH PRESSURE PLATE	1
72A	10-16-166-001	• STEEL CLUTCH PLATE	6
73A	5C-A66A	• FRICTION CLUTCH PLATE	7
74	5L-67	• CLUTCH PRESSURE PLATE	1

INDEX NO.	PART NUMBER	DESCRIPTION	QTY
	A4867AE	FORWARD CLUTCH PACK KIT (10-17 ONLY)	
71	5C-175A	• CLUTCH PRESSURE PLATE	1
72	10-16-166-001	• STEEL CLUTCH PLATE	4
73	5C-A66A	• FRICTION CLUTCH PLATE	5
74	5L-67	• CLUTCH PRESSURE PLATE	1

INDEX NO.	PART NUMBER	DESCRIPTION	QTY
	A4867HA	OIL SEAL AND SEALING RING KIT	
6	71C-110	• OIL SEAL	1
38	4804H	• O-RING	1
42	10-00-044-014	• OIL SEAL	1
43	3-61	• PUMP GASKET	1
52	4805A	• CLUTCH SEALING RING	1
53	4804G	• O-RING	1
66	5M-122	• O-RING	1
67	5L-36	• CLUTCH SEALING RING	1
78	4806J	• SEALING RING	2
83	4806B	• SEALING RING	4
	10-00-044-017	• OIL SEAL (REDUCTION UNITS ONLY)	1
	10-17-410-002	• SERVICE GASKET KIT (FOR CONTENTS SEE NEXT KIT LIST)	1

INDEX NO.	PART NUMBER	DESCRIPTION	QTY
	10-17-410-002	SERVICE GASKET KIT	
8	71-147	• BEARING RETAINER GASKET (10-17 ONLY)	1
8A	72-147	• BEARING RETAINER GASKET (10-18 ONLY)	1
14	L4-146	• ADAPTER GASKET	1
32	71-14	• VALVE COVER GASKET	1
49	71-144B	• GASKET	1
	L4-145	• GASKET (REDUCTION UNITS ONLY)	1
	L4-147	• GASKET (REDUCTION UNITS ONLY)	1

INDEX NO.	PART NUMBER	DESCRIPTION	QTY
	10-04-420-052	NEUTRAL SWITCH KIT	
	10-00-539-001	• SWITCH AND BODY ASSEMBLY	1
25	10-00-640-004	• NEUTRAL SWITCH ASSEMBLY	1
28	10-16-039-001	• VALVE COVER	1
29	0000179796	• HEX HEAD BOLT (1/4-20 X 1/2)	3
30	0000103319	• LOCKWASHER (1/4)	3
31	10-16-099-001	• SWITCH CAM	1
32	71-14	• VALVE COVER GASKET	1
	1340	• INSTRUCTION SHEET	1

INDEX NO.	PART NUMBER	DESCRIPTION	QTY
	10-95-410-002	SNAP RING SERVICE KIT	
15	4766	• RETAINING RING	1
34	4821	• SNAP RING	1
60	4822	• SNAP RING	1
61	R6A-7 1/2	• SNAP RING (10-17 ONLY)	1
61A	4766B	• SNAP RING (10-18 ONLY)	1
62	4734	• SNAP RING (10-17 ONLY)	2
62A	4559A	• SNAP RING (10-18 ONLY)	1
70	4755	• SNAP RING	1
75	10-00-139-048	• SNAP RING (.033-.037 THICK)(10-17 ONLY) (Yellow)	1
75A	10-00-139-049	• SNAP RING (.050-.054 THICK)(10-17 ONLY) (Pink)	1
75B	4768	• SNAP RING (.050-.054 THICK)(10-18 ONLY) (Green)	2
75C	4768A	• SNAP RING (.074-.078 THICK)(10-18 ONLY) (Orange)	1
75D	4768B	• SNAP RING (.096-.100 THICK)(10-18 ONLY) (White)	1
75E	10-00-139-018	• SNAP RING (.062-.066 THICK)(10-18 ONLY) (Purple)	1
79	4495	• SNAP RING	1
	4756D	• SNAP RING (REDUCTION UNITS ONLY)	1
	4756E	• SNAP RING (REDUCTION UNITS ONLY)	1
	4816	• SNAP RING (REDUCTION UNITS ONLY)	1
	4766A	• SNAP RING (REDUCTION UNITS ONLY)	1

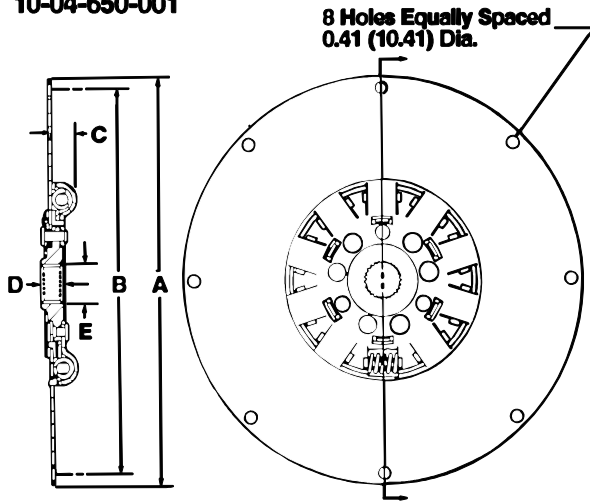
### Reverse Plates use in each model

	Steel Plates	Friction Plates
1017-001	0	1
1017-002	0	1
1017-003 through 1017-108 use 1 steel and 2 friction plates.		
1017-202*	1	2
1017-206*	1	2

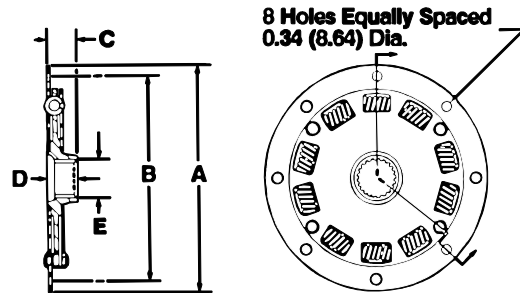
\* The 1017-202 and 1017-206 was originally built with 2 special steel plates and one friction plate. Velvet-Drive recommends changing this configuration to 1 steel and two friction. If the steel plates removed are .080" to .084" thick, destroy and discard them. They are no longer used in any Velvet-Drive transmission. Only plates measuring .066" to .071" are to be used in any 1017- or 1018-transmission.

	Steel Plates	Friction Plates
1018-001	1	2
1018-002	1	2
1018-003 through 1018-106 use 2 steel and 3 friction plates.		

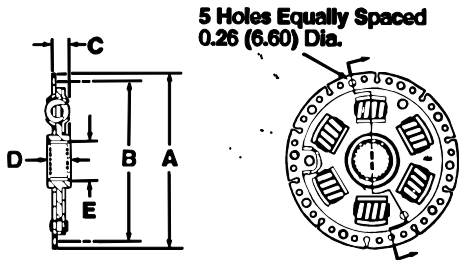
10-04-650-001



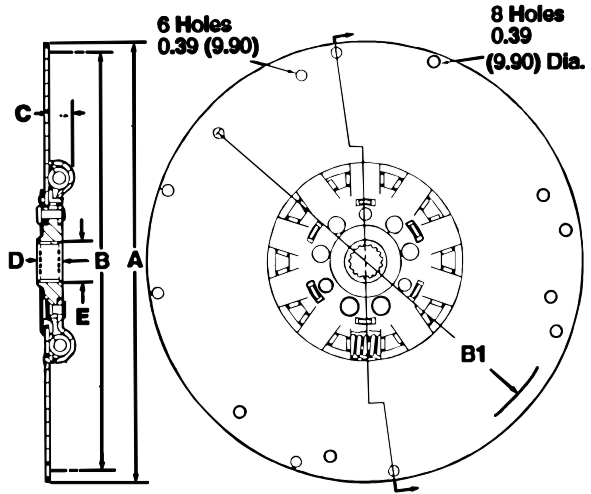
10-04-650-003



10-04-650-002



10-04-650-005

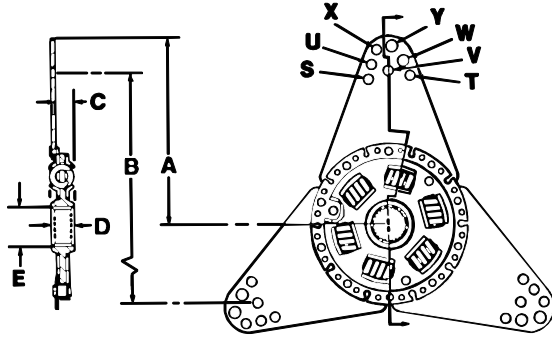


All specifications and descriptive data shown are nominal and subject to change without notice.

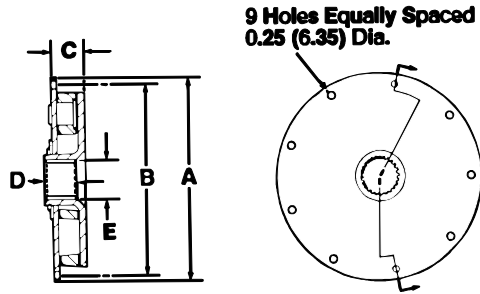
**Damper Assembly Information** Inches (millimeters)

Spring Damper Assembly Part Number	Dia. A	Dia. B	Dia. B1	Dim. C	Dim. D	Dia. E	Spline Teeth	Previous Part Number
10-04-650-001	13.87 (352.30)	13.13 (333.50)		0.99 (25.15)	0.80 (20.32)	1.35 (34.29)	26	
10-04-650-002	6.18 (157.97)	5.59 (141.99)		0.54 (13.72)	0.80 (20.32)	1.35 (34.29)	26	AS4-K1C
10-04-650-003	7.98 (202.69)	7.13 (181.10)		1.05 (26.67)	1.10 (27.94)	1.35 (34.29)	26	
10-04-650-005	15.00 (406.72)	14.50 (368.30)	13.25 (366.55)	0.51 (12.95)	0.80 (20.32)	1.35 (34.29)	26	AS3-K2C

10-04-650-006



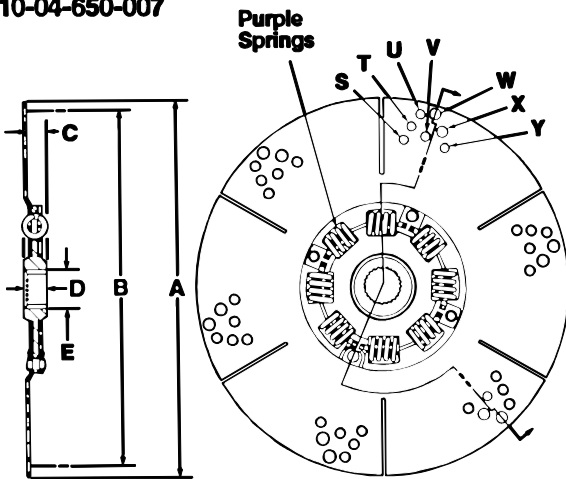
10-04-650-404



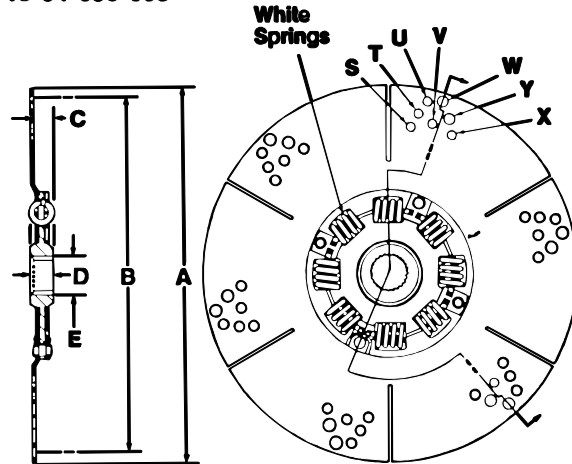
**Bolt Circle Chart**

Hole	S	T	U	V	W	X	Y
Dia. B	10.38 (263.65)	10.63 (270.00)	10.88 (276.35)	11.38 (289.05)	11.63 (295.40)	12.38 (314.45)	12.63 (320.80)
Hole Dia.	0.324 (8.25)	0.324 (8.25)	0.324 (8.25)	0.324 (8.25)	0.387 (9.86)	0.324 (8.25)	0.387 (9.86)

10-04-650-007



10-04-650-008

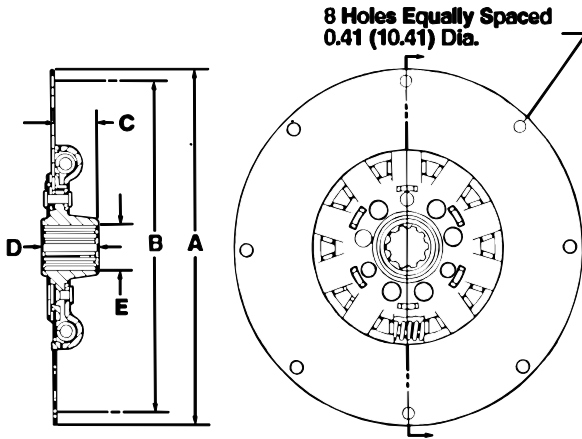


**Damper Assembly Information** Continued

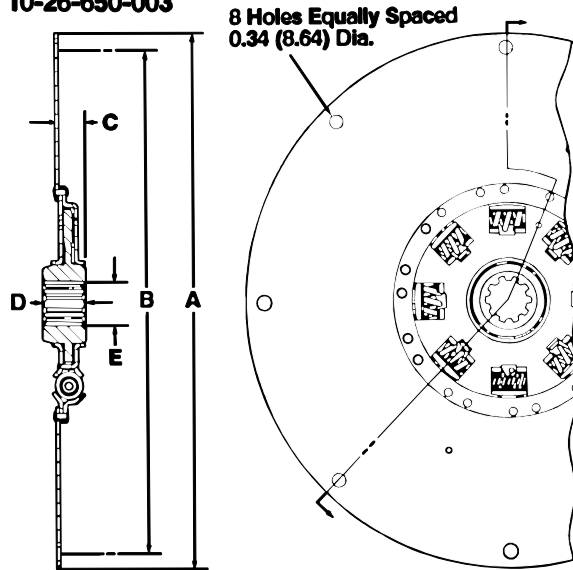
	Spring Damper Assembly Part Number	Dia. A	Dia. B	Dim. C	Dim. D	Dia. E	Spine Teeth	Previous Part Number
(ET5)	10-04-650-006	6.66R (169.16)	See Chart	0.84 (21.34)	0.80 (20.32)	1.35 (34.29)	26	AS4-K2C
(ET7)	10-04-650-007	13.25 (336.55)	See Chart	0.80 (20.32)	0.80 (20.32)	1.35 (34.29)	26	AS7-K2C
	10-04-650-008	13.25 (336.55)	See Chart	0.80 (20.32)	0.80 (20.32)	1.35 (34.29)	26	AS5-K2C

\*Note: 1004-650-407 is not totally interchangeable with 1004-650-007. O.D. of 1004-650-407 is 14.25 (361.95).

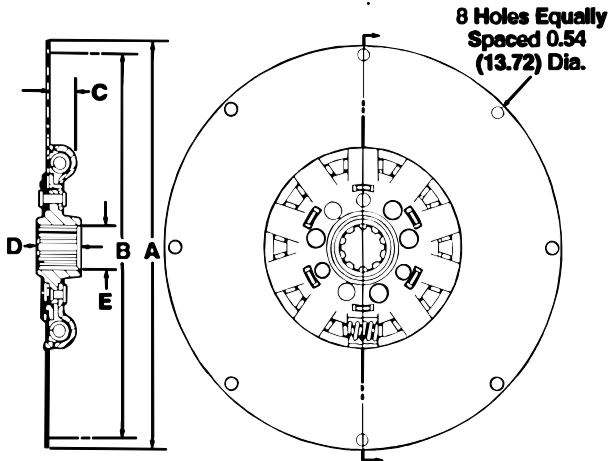
10-26-650-001



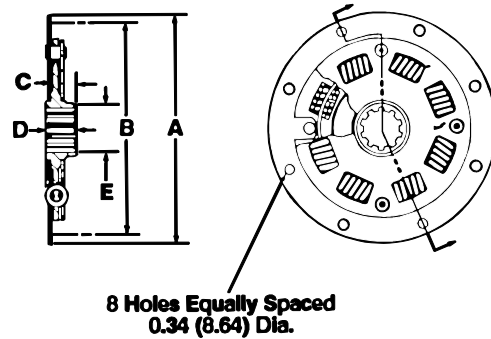
10-26-650-003



10-26-650-002



10-26-650-004



**Damper Assembly Information** Inches (millimeters)

Spring Damper Assembly Part Number	Dia. A	Dia. B	Dim. C	Dim. D	Dia. E	Spline Teeth	Polyurethane Assembly Part Number
10-26-650-001	12.37 (314.20)	11.63 (295.40)	1.57 (39.88)	1.94 (49.28)	1.52 (38.61)	10	10-26-650-401
10-26-650-002	13.87 (352.30)	13.13 (333.50)	1.19 (30.23)	1.56 (39.62)	1.52 (38.61)	10	10-26-650-402
10-26-650-003	18.37 (466.60)	17.25 (438.15)	0.89 (22.61)	1.47 (37.34)	1.52 (38.61)	10	10-26-650-403
10-26-650-004	7.98 (202.69)	7.13 (181.10)	1.02 (25.91)	1.22 (30.99)	1.51 (38.35)	10	10-26-650-404