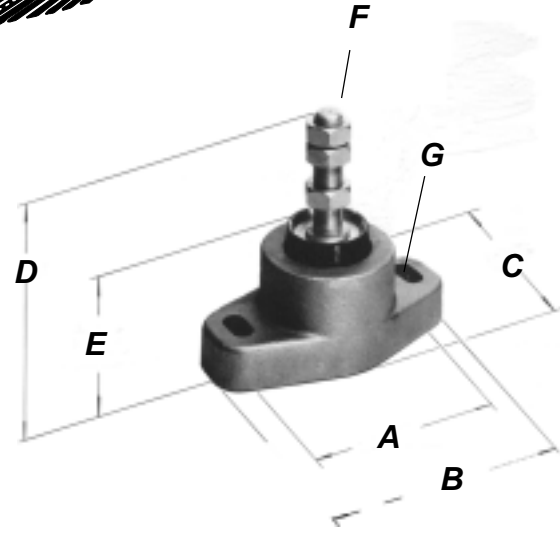


## Adjustable Mounts

- Eliminate Metal to Metal Contact
- Designed for the Marine Environment
- Vertical Adjustment for Flexible Mounting
- Reduce Noise and Vibration, Absorbs Shock



Part #	Dimensions							
	A	B	C	D	E	F Stud Dia.	G Mtg. Bolt	Engine Weight(lbs) (4 Pt. Mtg.)
DF-100 (2M1)	4"	5"	2 3/4"	4"	1 7/8"	5/8"-18	3/8"	500-850
DF-110	4"	5"	2 3/4"	4"	1 7/8"	3/4"-16	3/8"	500-850
DF-206 (2M5)	4"	5"	2 3/4"	4 3/16"	2 1/8"	5/8"-18	3/8"	850-1100
DF-216 (2M6)	4"	5"	2 3/4"	4 3/16"	2 1/8"	3/4"-16	3/8"	850-1100
DF-236-M1	5"	6 1/2"	3 3/8"	4 1/2"	2 1/2"	3/4"-16	1/2"	1100-1500
DF-237-M1	5"	6 1/2"	3 3/8"	4 1/2"	2 1/2"	3/4"-16	1/2"	1500-1800
DF-238-M1	5"	6 1/2"	3 3/8"	4 1/2"	2 1/2"	3/4"-16	1/2"	1800-2200
DF-2204-2	4"	5"	2 3/4"	4 7/16"	2 3/8"	5/8"-18	3/8"	Up To 150
DF-2205-2	4"	5"	2 3/4"	4 7/16"	2 3/8"	5/8"-18	3/8"	150-350
DF-2207-2	4"	5"	2 3/4"	4 7/16"	2 3/8"	5/8"-18	3/8"	550-750
DF-3304-3	4 1/2"	5 3/4"	3 3/16"	4 7/8"	2 7/8"	3/4"-16	7/16"	750-950
DF-3305-3	4 1/2"	5 3/4"	3 3/16"	4 7/8"	2 7/8"	3/4"-16	7/16"	950-1100
DF-3306-3	4 1/2"	5 3/4"	3 3/16"	4 7/8"	2 7/8"	3/4"-16	7/16"	1100-1400
DF-3307-3	4 1/2"	5 3/4"	3 3/16"	4 7/8"	2 7/8"	3/4"-16	7/16"	1400-1600
DF-4405-4	5"	6 3/4"	3 11/16"	5 3/4"	3 1/2"	1"-14	1/2"	1400-1800
DF-4406-4	5"	6 3/4"	3 11/16"	5 3/4"	3 1/2"	1"-14	1/2"	1800-2200
DF4407-4	5"	6 3/4"	3 11/16"	5 3/4"	3 1/2"	1"-14	1/2"	2200-2500
DF4408-4	5"	6 3/4"	3 11/16"	5 3/4"	3 1/2"	1"-14	1/2"	2500-2800

Many other sizes are available. Call us with your requirements.

Phone: 800-225-0004 ☎ Fax: 908-486-1056  
e-mail: sales@sealandpower.com