



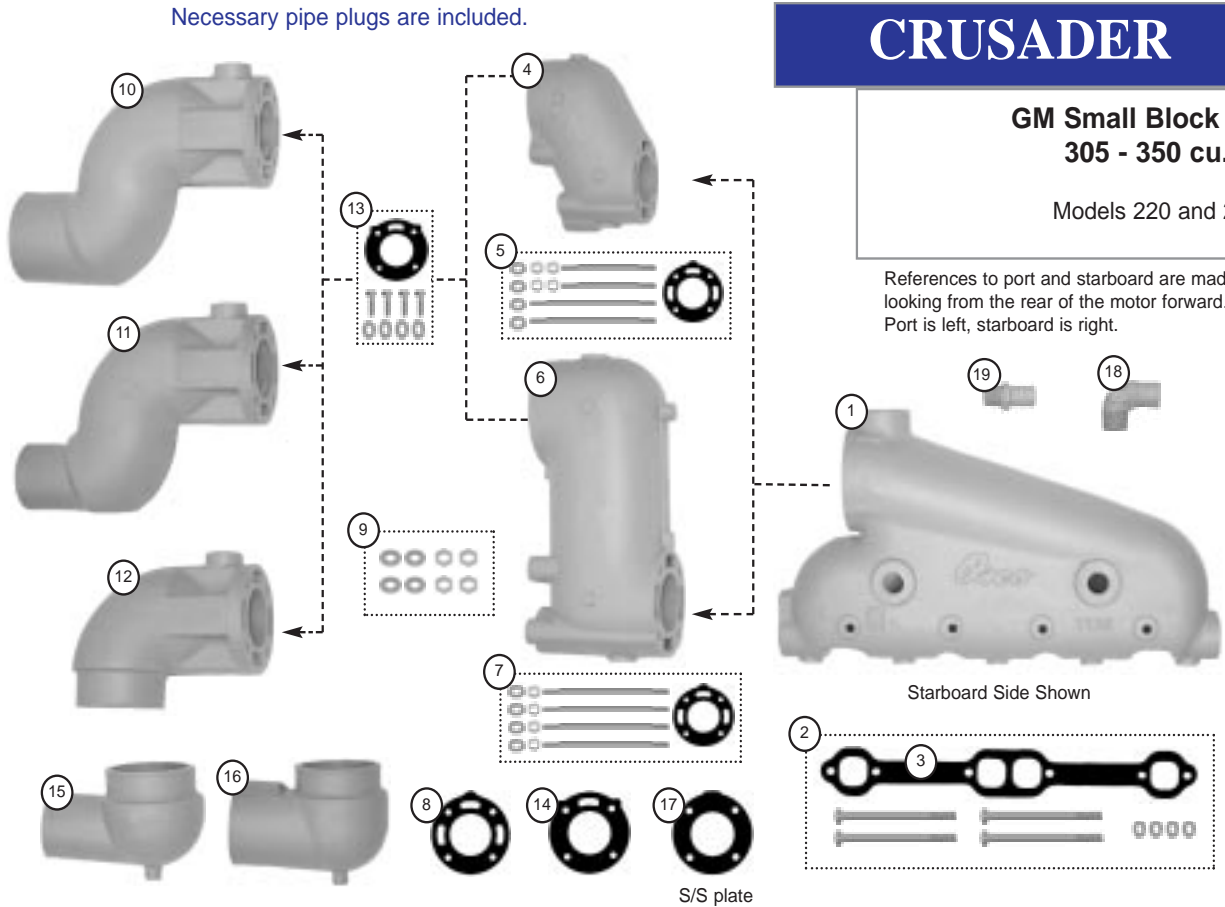
OEM Style Replacements for:

**CRUSADER**

**GM Small Block V8  
305 - 350 cu.in.**

Models 220 and 270

References to port and starboard are made looking from the rear of the motor forward. Port is left, starboard is right.



- 1. **7752** **Manifold, starboard.** Fits 305 - 350 cu.in. GM small block V8 engines. Replaces Crusader # 97752 and 96120\*.
- 1. **7753** **Manifold, port.** Fits 305 - 350 cu.in. GM small block V8 engines. Replaces Crusader #97753 and 96121\*.
- 2. **775-MK** **Mounting Kit, manifold.** Fits 7752 and 7753 manifolds without alternator bracket. Includes CV-GH gasket and mounting hardware.
- 2. **775-MK-A** **Mounting Kit, manifold.** Fits 7753 manifold with alternator bracket. Includes CV-GH gasket and mntg. hardware.
- 3. **CV-GH** **Gasket, manifold to cylinder head.** Included in 775-MK and 775-MK-A. Replaces Crusader # 96306.
- 4. **7772** **Riser, 4".** Replaces Crusader # 97772. Use mounting kit 7772-MK.
- 5. **7772-MK** **Mounting Kit, riser.** Fits 7772 riser. Includes 6108 gasket and mounting hardware.
- 6. **7169** **Riser, 8".** Replaces Crusader # 97169. Use mounting kit 7169-MK.
- 7. **7169-MK** **Mounting Kit, riser.** Fits 7169 riser. Includes 6108 gasket and mounting hardware.
- 8. **6108** **Gasket, riser, 3 holes for water.** Used at manifold with risers 7772 and 7169. Included in 7169-MK and 7772-MK. Replaces Crusader # 96108.
- 9. **NWK** **Nut and Washer Kit.** 4 each sealing washer and locking nuts. Replace after each removal.
- 10. **7924** **Elbow, 4" outlet.** Replaces Crusader # 97924. Use mounting kit 6562-MK.
- 11. **8068** **Elbow, 3" outlet.** Replaces Crusader # 98068. Use mounting kit 6562-MK.
- 12. **7386** **Elbow, jacketed upper for swivel.** Replaces Crusader # 97386. Use mounting kit 6562-MK.
- 13. **6562-MK** **Mounting Kit, elbow.** Fits 7924, 8068, and 7386. Includes 6562 gasket and mounting hardware.
- 14. **6562** **Gasket, elbow, 1 hole for water.** Used with elbows 7924, 8068 and 7386. Included in 6562-MK. Replaces Crusader # 96562.
- 15. **7387** **Elbow, lower swivel with 3" outlet.** Replaces Crusader # 97387.
- 16. **7624** **Elbow, lower swivel with 4" outlet.** Replaces Crusader # 97624.
- 17. **7296** **Stainless Plate, block off.** Separates fresh water from raw water. Requires 1 plate and (2) 6562 or 6108 gaskets per manifold. Replaces Crusader # 97296.
- 18. **7854** **Water Fitting, 90° elbow.** 1" MPT x 1 1/4" hose barb. Replaces Crusader # 97854. (1) required for a raw water cooled manifold and (2) required for a fresh water cooled manifold.
- 19. **F68CS** **Water Fitting, straight.** 3/4" MPT X 1" hose barb. Replaces Crusader # 97911. For risers / elbows.

\*Requires one water fitting 7854 per hose connection.

**Phone: 800-225-0004    Fax: 908-486-1056**  
**e-mail: sales@sealandpower.com**



OEM Style Replacements for: **Center Riser Style**

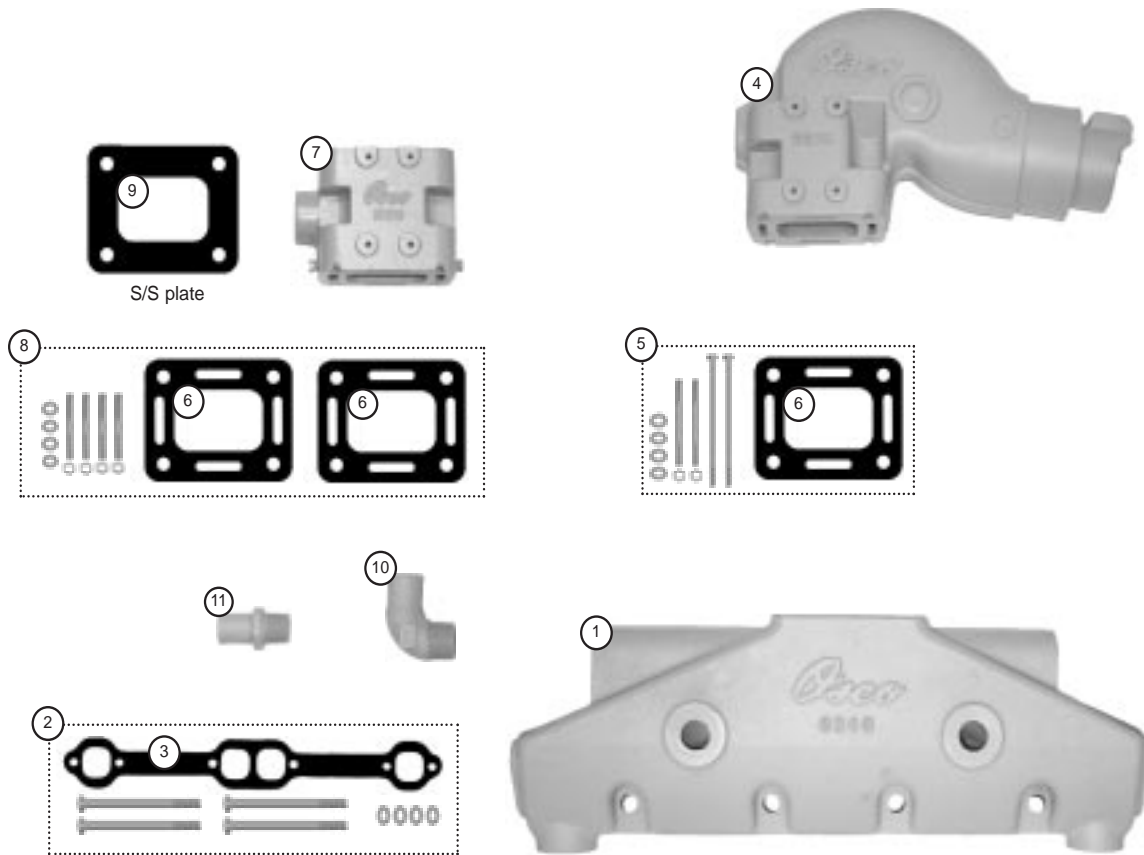
**CRUSADER**

**GM Small Block V8**  
**305 - 350 cu.in.**

Models CM305, CM350XL and CM350HT

Necessary pipe plugs are included.

**\*Note:** The Crusader low profile riser # 98126 is 6 3/4" high. It is no longer available and is replaced by OSCO 9015 which is 8 1/4" high.



1. **8243** **Manifold.** Fits 305 - 350 cu.in. GM small block V8 engines. Replaces Crusader # 98243.
2. **8243-MK** **Mounting Kit, Manifold.** Fits 8243 manifold. Includes CV-GH gasket and mounting hardware.
3. **CV-GH** **Gasket,** manifold to cylinder head. Included in 8125-MK. Replaces Crusader # 96306.
4. **9015\*** **Riser,** 4" exhaust outlet, 10° down angle. Replaces Crusader #'s RO29015 and 98126. **See Note Above\*.** Use mounting kit 9015-MK.
5. **9015-MK** **Mounting Kit, riser.** Fits 9015 riser. Includes 9015-G gasket and mounting hardware.
6. **9015-G** **Gasket,** riser. Included in 9015-MK. Replaces Crusader # 98127.
7. **8128** **Spacer,** 4". Replaces Crusader # 98128. Use mounting kit 8128-MK.
8. **8128-MK** **Mounting Kit, spacer.** Mounts the 8128 spacer to the 8243 manifold. Includes (2) 9015-G gaskets and mounting hardware. *The 9015 riser will require its own mounting kit.*
9. **8124** **Stainless Plate,** block-off. Requires (2) 9015-G gaskets per plate.
10. **7854** **Water Fitting,** 90° elbow. 1" MPT x 1 1/4" hose barb. Replaces Crusader # 97854. (1) required for a raw water cooled manifold and (2) required for a fresh water cooled manifold.
11. **F68CS** **Water Fitting,** Straight. 3/4" MPT x 1" hose barb. Replaces Crusader # 97911. For risers / elbows.



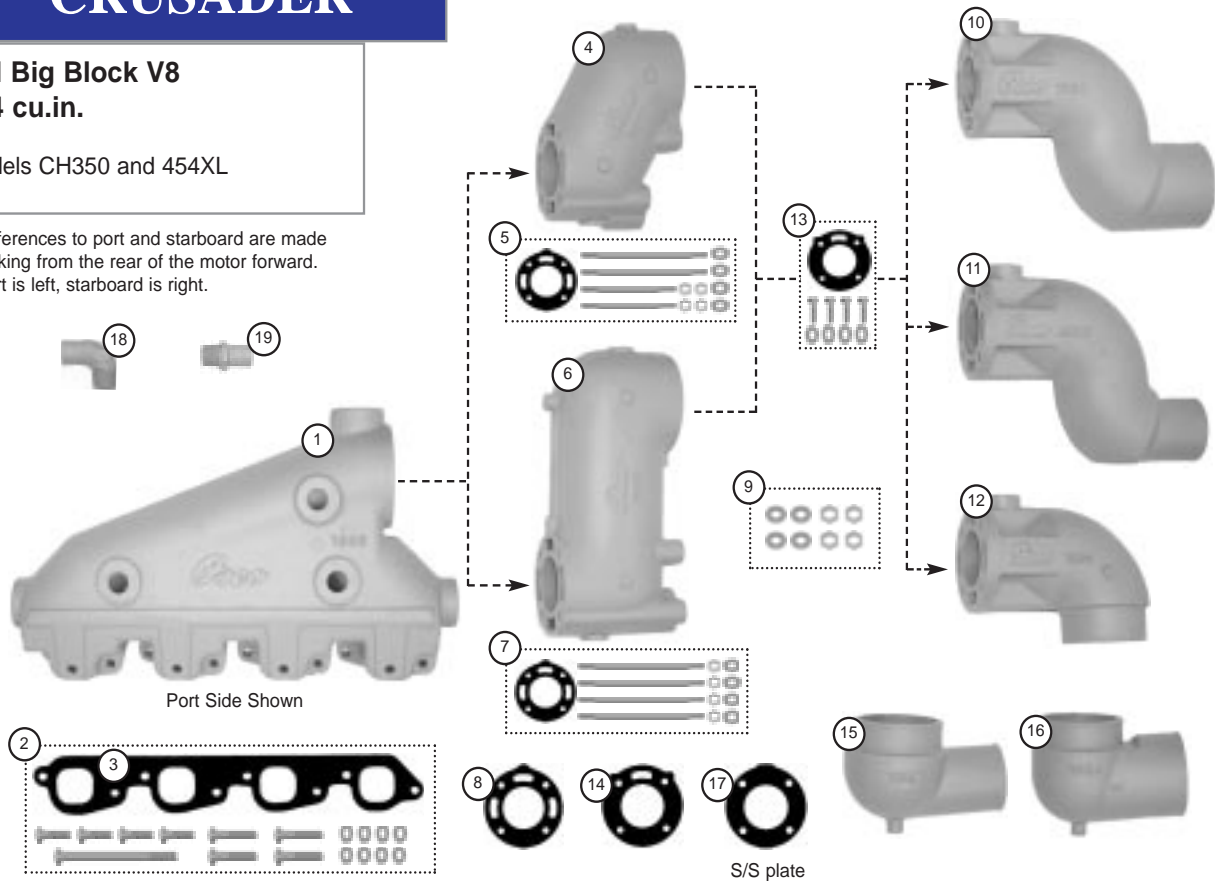
OEM Style Replacements for:

**CRUSADER**

**GM Big Block V8  
454 cu.in.**

Models CH350 and 454XL

References to port and starboard are made looking from the rear of the motor forward. Port is left, starboard is right.



Necessary pipe plugs are included.

1. **7992** **Manifold, starboard.** Fits 454 cu.in. GM big block V8 engines. Replaces Crusader # 97992 and 97114\*.
1. **7993** **Manifold, port.** Fits 454 cu.in. GM big block V8 engines. Replaces Crusader #97993 and 97115\*.
2. **799-MK** **Mounting Kit, manifold.** Fits 7992 / 7993 manifolds. Includes CW-GH gasket and mounting hardware.
3. **CW-GH** **Gasket, manifold to cylinder head.** Included in 799-MK. Replaces Crusader # 96653.
4. **7772** **Riser, 4".** Replaces Crusader # 97772. Use mounting kit 7772-MK.
5. **7772-MK** **Mounting Kit, riser.** Fits 7772 riser. Includes 6108 gasket and mounting hardware.
6. **7169** **Riser, 8".** Replaces Crusader # 97169. Use mounting kit 7169-MK.
7. **7169-MK** **Mounting Kit, riser.** Fits 7169 riser. Includes 6108 gasket and mounting hardware.
8. **6108** **Gasket, riser, 3 holes for water.** Used at manifold with risers 7772 and 7169. Included in 7169-MK and 7772-MK. Replaces Crusader # 96108.
9. **NWK** **Nut and Washer Kit.** 4 each sealing washer and locking nuts. Replace after each removal.
10. **7924** **Elbow, 4" outlet.** Replaces Crusader # 97924. Use mounting kit 6562-MK.
11. **8068** **Elbow, 3" outlet.** Replaces Crusader # 98068. Use mounting kit 6562-MK.
12. **7386** **Elbow, jacketed upper for swivel.** Replaces Crusader # 97386. Use mounting kit 6562-MK.
13. **6562-MK** **Mounting Kit, elbow.** Fits 7924, 8068, and 7386. Includes 6562 gasket and mounting hardware.
14. **6562** **Gasket, elbow, 1 hole for water.** Used with elbows 7924, 8068 and 7386. Included in 6562-MK. Replaces Crusader # 96562.
15. **7387** **Elbow, lower swivel with 3" outlet.** Replaces Crusader # 97387.
16. **7624** **Elbow, lower swivel with 4" outlet.** Replaces Crusader # 97624.
17. **7296** **Stainless Plate, block off.** Separates fresh water from raw water. Requires (1) plate and (2) each 6562 or 6108 gaskets per manifold. Replaces Crusader # 97296.
18. **7854** **Water Fitting, 90° elbow.** 1" MPT x 1/4" hose barb. Replaces Crusader # 97854. (1) required for a raw water cooled manifold and (2) required for a fresh water cooled manifold.
19. **F68CS** **Water Fitting, straight.** 3/4" MPT X 1" hose barb. Replaces Crusader # 97911. For risers / elbows.

\*Requires one water fitting 7854 per hose connection.



Necessary pipe plugs are included.

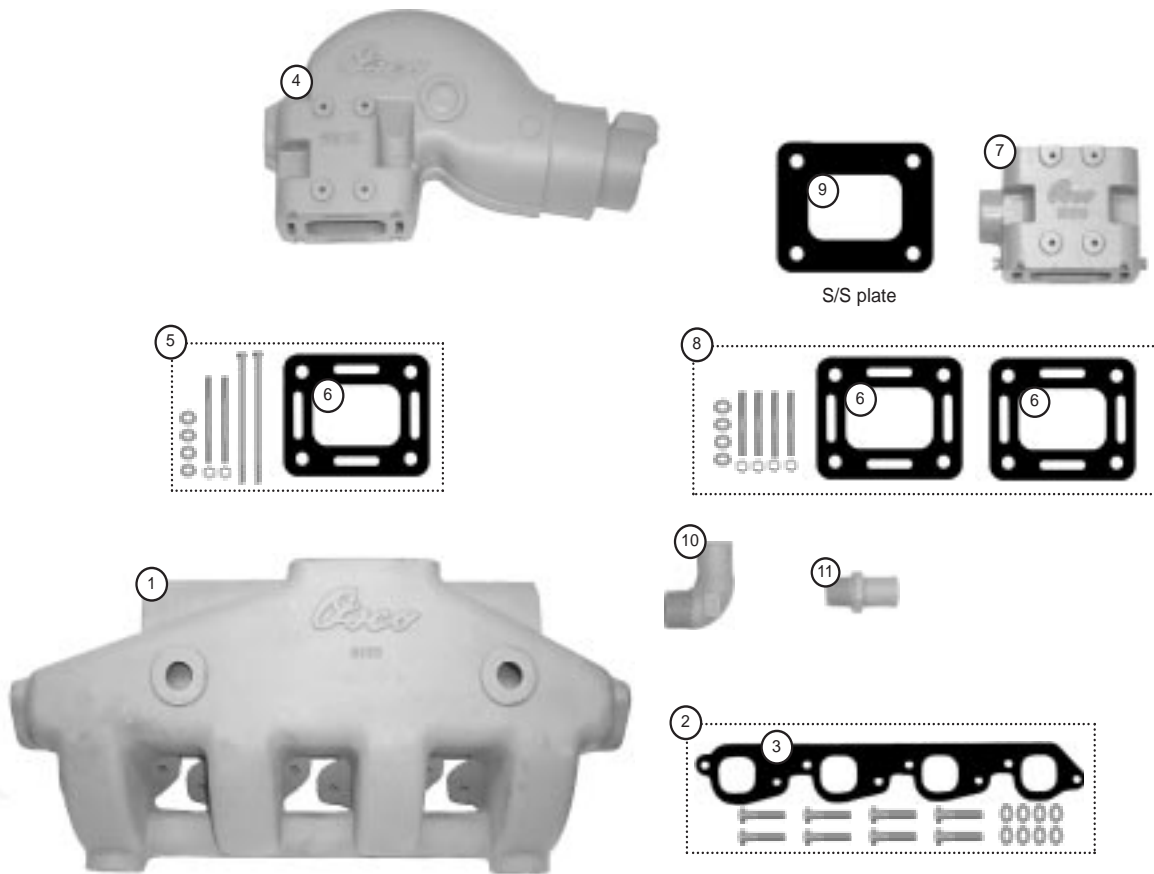
**\*Note:** The Crusader low profile riser # 98126 is 6 3/4" high. It is no longer available and is replaced by OSCO 9015 which is 8 1/4" high.

OEM Style Replacements for: Center Riser Style

## CRUSADER

**GM Big Block V8  
454 cu.in.**

Models 454XL and 502XL



1. **8125** **Manifold.** Fits 454 - 502 cu.in. GM big block V8 engines. Replaces Crusader # 98125.
2. **8125-MK** **Mounting Kit, Manifold.** Fits 8125 manifold. Includes CW-GH gasket and mounting hardware.
3. **CW-GH** **Gasket, manifold to cylinder head.** Included in 8125-MK. Replaces Crusader # 96653.
4. **9015\*** **Riser, 4" exhaust outlet, 10° down angle.** Replaces Crusader #'s RO29015 and 98126. **See Note Above\*.** Use mounting kit 9015-MK.
5. **9015-MK** **Mounting Kit, riser.** Fits 9015 riser. Includes 9015-G gasket and mounting hardware.
6. **9015-G** **Gasket, riser.** Included in 9015-MK. Replaces Crusader # 98127.
7. **8128** **Spacer, 4".** Replaces Crusader # 98128. Use mounting kit 8128-MK.
8. **8128-MK** **Mounting Kit, spacer.** Mounts the 8128 spacer to the 8125 manifold. Includes (2) 9015-G gaskets and mounting hardware. *The 9015 riser will require its own mounting kit.*
9. **8124** **Stainless Plate, block-off.** Requires (2) 9015-G gaskets per plate.
10. **7854** **Water Fitting, 90° elbow.** 1" MPT x 1 1/4" hose barb. Replaces Crusader # 97854. (1) required for a raw water cooled manifold and (2) required for a fresh water cooled manifold.
11. **F68CS** **Water Fitting, Straight.** 3/4" MPT x 1" hose barb. Replaces Crusader # 97911. For risers / elbows.