



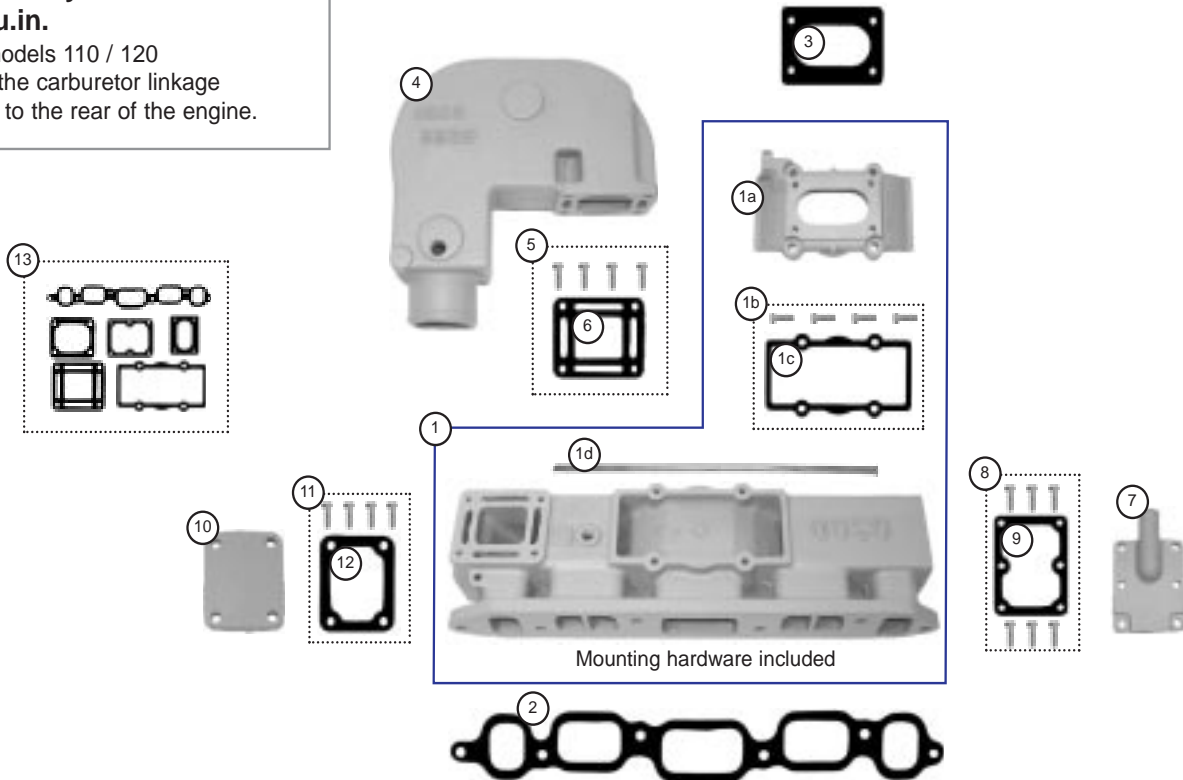
OEM Style Replacements for:

MERCURISER

Necessary pipe plugs are included.

**GM Four Cylinder
153 cu.in.**

Early models 110 / 120
Where the carburetor linkage
mounts to the rear of the engine.



1. **ME153-LR*** **Manifold Assembly.** Fits 153 cu.in. four cylinder GM engines where the carburetor mounts in-line with the manifold. i.e. linkage is to the rear. Replaces Mercruiser #'s 39950 and 63122. Includes Items 1a through 1d and manifold mounting hardware. Does not include manifold to cylinder head gasket. **See note below.**
- 1a. **ME-LR*** **Carburetor Mounting Plate,** aluminum. Included with manifold. Includes choke tube CT-LR.
- 1b. **ME-L-MK*** **Mounting Kit,** carburetor mounting plate. Includes ME-G gasket and mounting hardware. Incl. with manifold.
- 1c. **ME-G*** **Gasket,** carburetor mounting plate to manifold. Included with manifold.
- 1d. **CT-LR*** **Choke Tube.** For use with ME-LR. Included with ME153-LR and ME-LR.
2. **CY4-GH** **Gasket,** manifold to cylinder head. For model 110 / 120. Replaces Mercruiser # 27-52546.
3. **CY-MG** **Gasket** for 2 barrel Rochester carburetor. Studs measure 3³/₄" x 1¹/₈" on centers.
4. **5538** **Riser,** 2¹/₂" exhaust outlet, 90° down angle. Fits early Mercruiser applications. Replaces Mercruiser #'s 39920 and 55538. Use mounting kit 5538-MK.
5. **5538-MK** **Mounting Kit,** riser. Fits 5538 riser. Includes 5538-G gasket and mounting hardware.
6. **5538-G** **Gasket,** riser. Fits 5538 riser. Included in 5538-MK mounting kit. Replaces Mercruiser # 27-39915.
7. **MWS** **Front Plate,** with water fitting. Fits ME153 manifold. Replaces Mercruiser # 47638. Use mounting kit MWS-MK.
8. **MWS-MK** **Mounting Kit,** front plate. Fits MWS front plate. Includes MWS-G gasket and mounting hardware.
9. **MWS-G** **Gasket,** front plate. Included in MWS-MK mounting kit. Replaces Mercruiser # 27-39917.
10. **MWF** **Rear Plate.** Fits ME153 manifold. Replaces Mercruiser # 73811. Use mounting kit MWF-MK.
11. **MWF-MK** **Mounting Kit,** rear plate. Fits MWF rear plate. Includes MWF-G gasket and mounting hardware.
12. **MWF-G** **Gasket,** rear plate. Included in MWF-MK mounting kit. Replaces Mercruiser # 27-73812.
13. **ME-GK** **Gasket Kit,** ME153 manifold. Includes one each of all gaskets, item #'s 1c, 2, 3, 6, 9, and 12.

* Items 1a through 1d are included in the manifold assembly.

NOTE: The ME153 series manifolds replace the Mercruiser manifold #'s 39950 and 63122 with 12 bolts on the carburetor mounting plate. OSCO's version is a 4 bolt plate and will accept the original Mercruiser carburetor and linkage. All original Mercruiser parts other than the carburetor plate will bolt to the manifold.

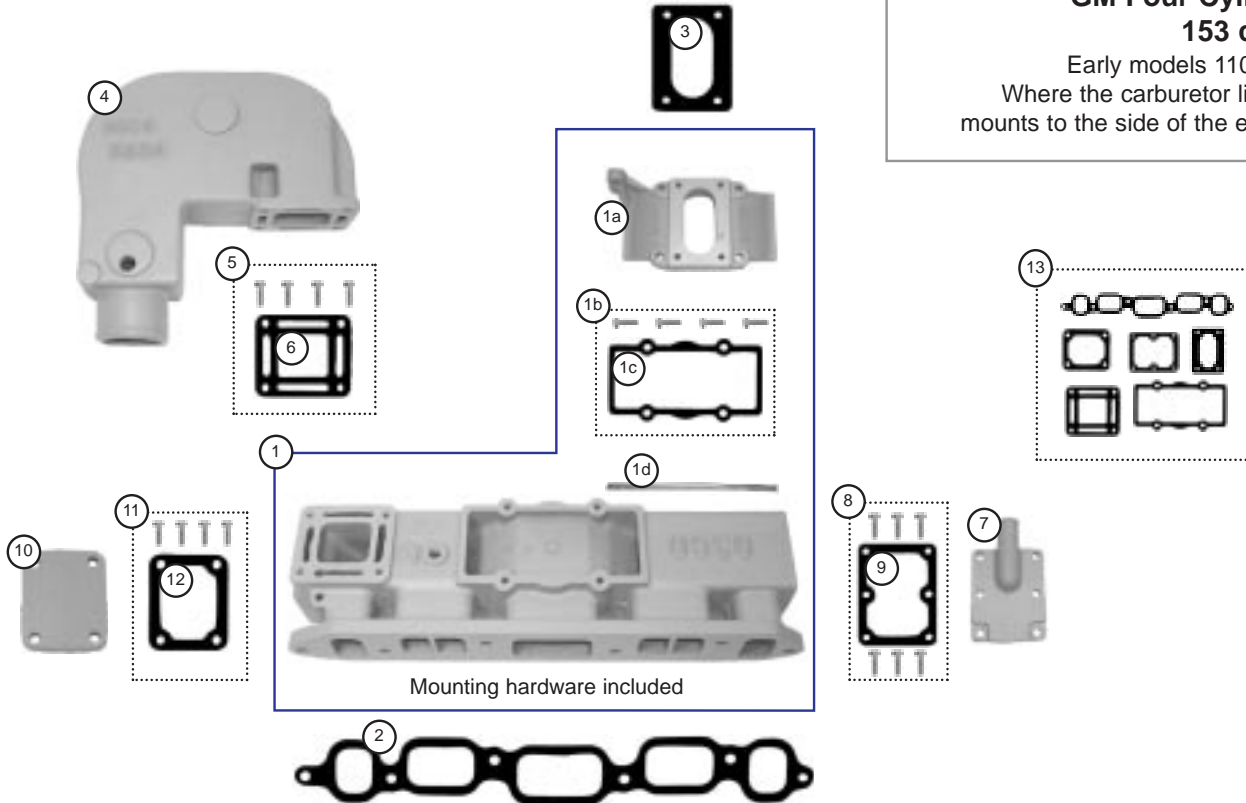


OEM Style Replacements for:

MERCURISER

**GM Four Cylinder
153 cu.in.**

Early models 110 / 120
Where the carburetor linkage
mounts to the side of the engine.



1. **ME153-L5*** **Manifold Assembly.** Fits 153 cu.in. GM four cylinder engines where the carburetor mounts across the manifold. i.e. linkage is to the side. Replaces Mercruiser #'s 39950 and 63122. Includes items 1a through 1d and manifold mounting hardware. Does not include cylinder head to manifold gasket. **See note below.**
- 1a. **ME-LS*** **Carburetor Mounting Plate**, aluminum. Included with manifold. Includes choke tube CT-LS.
- 1b. **ME-L-MK*** **Mounting Kit**, carburetor mounting plate. Includes ME-G gasket and mounting hardware.
- 1c. **ME-G*** **Gasket**, carburetor mounting plate to manifold. Included with manifold.
- 1d. **CT-LS*** **Choke Tube.** For use with ME-LS. Included with ME153-L5 and ME-LS.
2. **CY4-GH** **Gasket**, manifold to cylinder head. Replaces Mercruiser # 27-52546.
3. **CY-MG** **Gasket** for 2 barrel Rochester carburetor. Studs measure 3¹/₄" x 1⁷/₈" on centers.
4. **5538** **Riser**, 2¹/₂" exhaust outlet, 90° down angle. Fits early Mercruiser applications. Replaces Mercruiser #'s 39920 and 55538. Use mounting kit 5538-MK.
5. **5538-MK** **Mounting Kit**, riser. Fits 5538 riser. Includes 5538-G gasket and mounting hardware.
6. **5538-G** **Gasket**, riser. Fits 5538 riser. Included in 5538-MK mounting kit. Replaces Mercruiser # 27-39915.
7. **MWS** **Front Plate**, with water fitting. Fits ME153 manifold. Replaces Mercruiser # 47638. Use mounting kit MWS-MK.
8. **MWS-MK** **Mounting Kit**, front plate. Fits MWS front plate. Includes MWS-G gasket and mounting hardware.
9. **MWS-G** **Gasket**, front plate. Included in MWS-MK mounting kit. Replaces Mercruiser # 27-39917.
10. **MWF** **Rear Plate.** Fits ME153 manifold. Replaces Mercruiser # 73811. Use mounting kit MWF-MK.
11. **MWF-MK** **Mounting Kit**, rear plate. Fits MWF rear plate. Includes MWF-G gasket and mounting hardware.
12. **MWF-G** **Gasket**, rear plate. Included in MWF-MK mounting kit. Replaces Mercruiser # 27-73812.
13. **ME-GK** **Gasket Kit**, for ME153 manifold. Includes one each of all gaskets, item #'s 1c, 2, 3, 6, 9, and 12.

* Items 1a through 1d are included in the manifold assembly.

NOTE: The ME153 series manifolds replace the Mercruiser manifold #'s 39950 and 63122 with 12 bolts on the carburetor mounting plate. OSCO's version is a 4 bolt plate and will accept the original Mercruiser carburetor and linkage. All original Mercruiser parts other than the carburetor plate will bolt to the manifold.



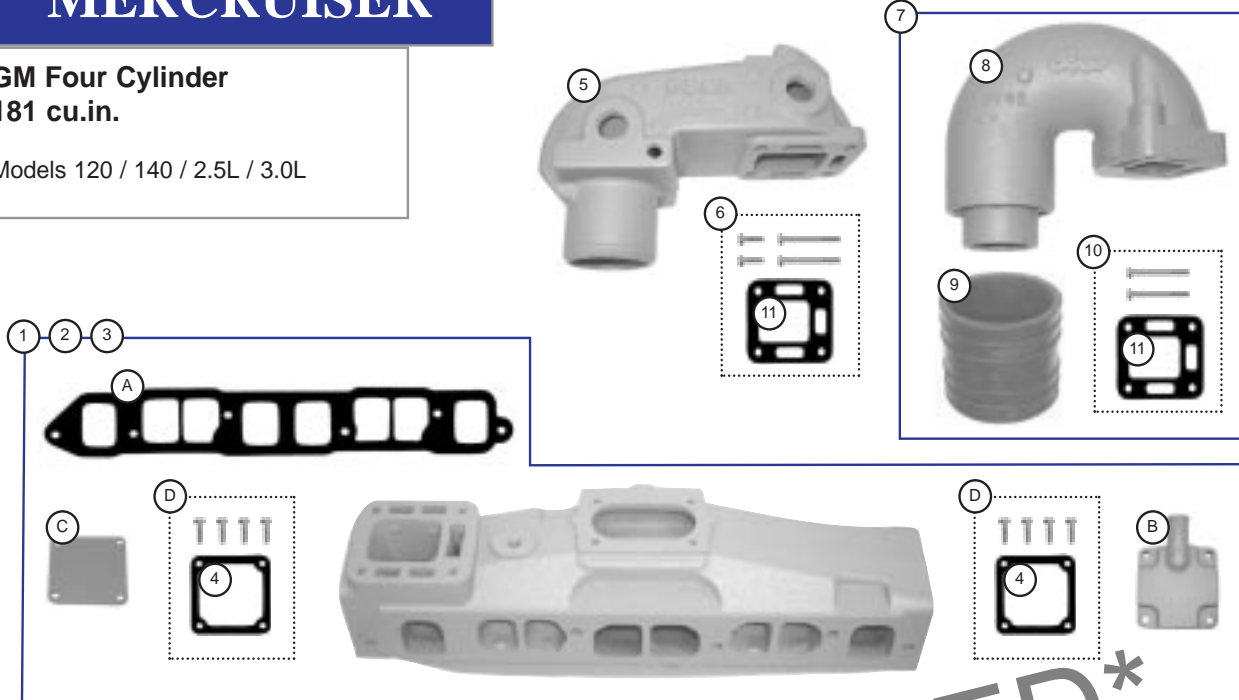
OEM Style Replacements for:

MERCURISER

**GM Four Cylinder
181 cu.in.**

Models 120 / 140 / 2.5L / 3.0L

Necessary pipe plugs are included.



- Each manifold Ass'y below includes: 1 each 6705, 5862, or 9798 manifold as well as items A - D.**
1. **6705** **Manifold Ass'y.** Fits 3.0L / 181 cu.in., Model 140 (1961-1982) Mercruiser using Rochester carburetor with mechanical choke. **Note:** Carburetor mounting studs measure 3/4" x 1/8" on centers. Replaces Mercruiser #'s 52390 and 96705. Includes choke tube, end plates with mounting hardware and gaskets.
 2. **5862** **Manifold Ass'y.** Fits 2.5 and 3.0L 181 cu.in., Model 140 (1983-1989) Mercruiser using Rochester carburetor with electric choke. **Note:** Carburetor mounting studs measure 3/4" x 1/8" on centers. Replaces Mercruiser # 95062. Includes end plates with mounting hardware and gaskets.
 3. **9798** **Manifold Ass'y.** Fits 3.0L / 181 cu.in., Models 140 and 3.0 (1983-1995) Mercruiser using Mercarb carburetor with electric choke. **Note:** Carburetor mounting studs measure 3 1/16" x 2" on centers. Replaces Mercruiser #'s 42673 and 99798. Includes end plates with mounting hardware and gaskets.
 - A. **MO4-GH*** **Gasket,** manifold to cylinder head. Included in manifold kit. Fits 6705, 5862 and 9798. Replaces Mercruiser # 27-52546.
 - B. **60252*** **Front Plate** with water fitting. Included in manifold kit. Replaces Mercruiser # 60252.
 - C. **5629*** **End Plate.** Included in manifold kit. Replaces Mercruiser # 805629.
 - D. **60252-MK*** **Mounting Kit,** end plate. Fits both 60252 and 5629. Includes 48043 gasket and mounting hardware. (2) included in manifold assembly.
 4. **48043** **Gasket,** end plate. Fits both ends of manifold #'s 6705, 5862 and 9798. Included in 60252-MK mounting kit. Replaces Mercruiser # 27-48043.
 5. **6325** **Riser,** 3" exhaust outlet, 90° down angle. Fits 2.5 and 3.0L engines. Use mounting kit 6325-MK. **See note below.** Replaces Mercruiser # 76325 used with an angled adapter. The adapter is no longer available.
 6. **6325-MK** **Mounting Kit,** riser. Fits 6325 riser. Includes 52076 gasket and mounting hardware.
 7. **2076A2** **Riser and Bellows Kit.** Includes 2076 riser, 2076-MK mounting kit and 4348 bellows. Hose clamps are not included.
 8. **2076** **Riser,** 4" exhaust outlet, 90° down angle. Fits 2.5 and 3.0L engines. Replaces Mercruiser # 12076 and 2-piece offset adapter and riser #'s 95863 and 76325. Use mounting kit 2076-MK. **See note below.**
 9. **4348** **Bellows,** exhaust. 4" inside diameter. Replaces Mercruiser # 32-44348T. Hose clamps are not included.
 10. **2076-MK** **Mounting Kit,** riser. Fits 2076 riser. Includes 52076 gasket and mounting hardware.
 11. **52076** **Gasket,** riser. Included in 2076-MK, 6325-MK mtg. kits and 2076A2 kit. Replaces Mercruiser # 27-52076.

* Items A through D are included in the manifold assembly.

Note: 2076 riser replaces the early Mercruiser 2-piece riser setup from Mercruiser using # 76325 riser (or Osco 6325) with an off-set adapter # 95863. The adapter is no longer available.

***Call for Availability**

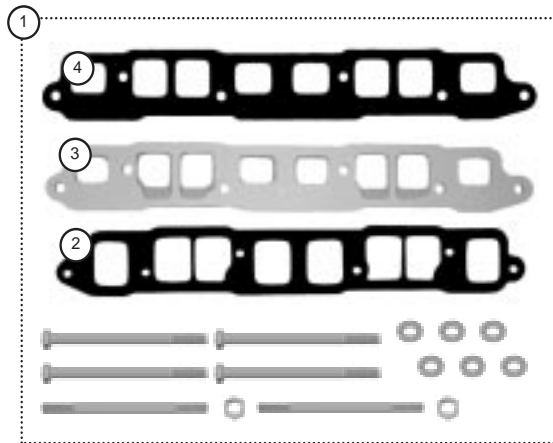
Phone: 800-225-0004 ☎ **Fax: 908-486-1056**
e-mail: sales@sealandpower.com



Cast Iron Adapter Plate for:

MERCUISER

Converts large intake port 181 cu.in. manifolds to the high output small intake port cylinder heads.



1. **MO4-HOK Adapter Plate Kit.** Converts large intake port manifolds to small intake port cylinder heads. Includes MO4-HO adapter, MO4-GH gasket, MO4-HO-GH gasket and mounting hardware for Mercruiser manifolds.
2. **MO4-GH Gasket,** manifold to adapter.
3. **MO4-HO Adapter Plate.** Can be used in other applications such as Marine Power, OMC, Etc.
4. **MO4-HO-GH Gasket,** adapter to cylinder head. New style high output head with small intake ports.

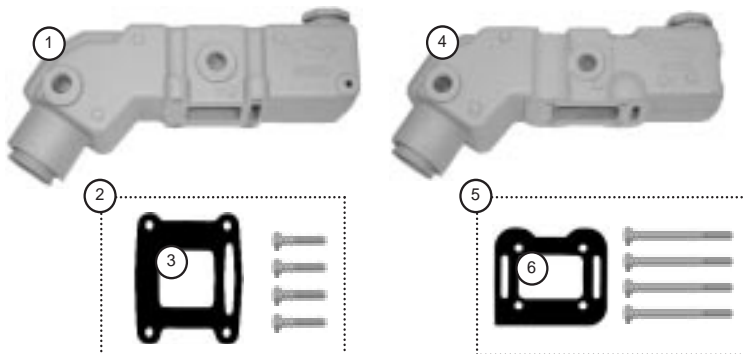
Necessary pipe plugs are included.

OEM Style Replacements for:

MERCUISER

**Mercruiser Four Cylinder
224 cu.in. 3.7 Liter**

Models 165, 170, 180 and 190



1. **0879 Elbow/Reservoir.** Fits Mercruiser cast iron manifold # 99908. Replaces Mercruiser # 90880. Cap included. Use mounting kit # 0879-MK. Fitting not included.
2. **0879-MK Mounting Kit,** elbow/reservoir. Fits 0879 elbow/reservoir. Includes 0879-G gasket and mounting hardware.
3. **0879-G Gasket,** elbow/reservoir. Fits 0879 elbow/reservoir. Included in 0879-MK mounting kit. Replaces Mercruiser # 27-97542.
4. **8561 Elbow/Reservoir.** Fits Mercruiser aluminum manifold # 93174. Replaces Mercruiser # 98561. Cap included. Use mounting kit 8561-MK. Fitting not included.
5. **8561-MK Mounting Kit,** elbow/reservoir. Fits 8561 elbow/reservoir. Includes 8561-G gasket and mounting hardware.
6. **8561-G Gasket,** elbow/reservoir. Fits 8561 elbow/reservoir. Included in 8561-MK mounting kit. Replaces Mercruiser # 27-18272.

Note: Both elbow/reservoirs are made of cast iron like the original Mercruiser parts.
Osco does not make the 3.7L or 3.7LX exhaust manifolds.



OEM Style Replacements for:

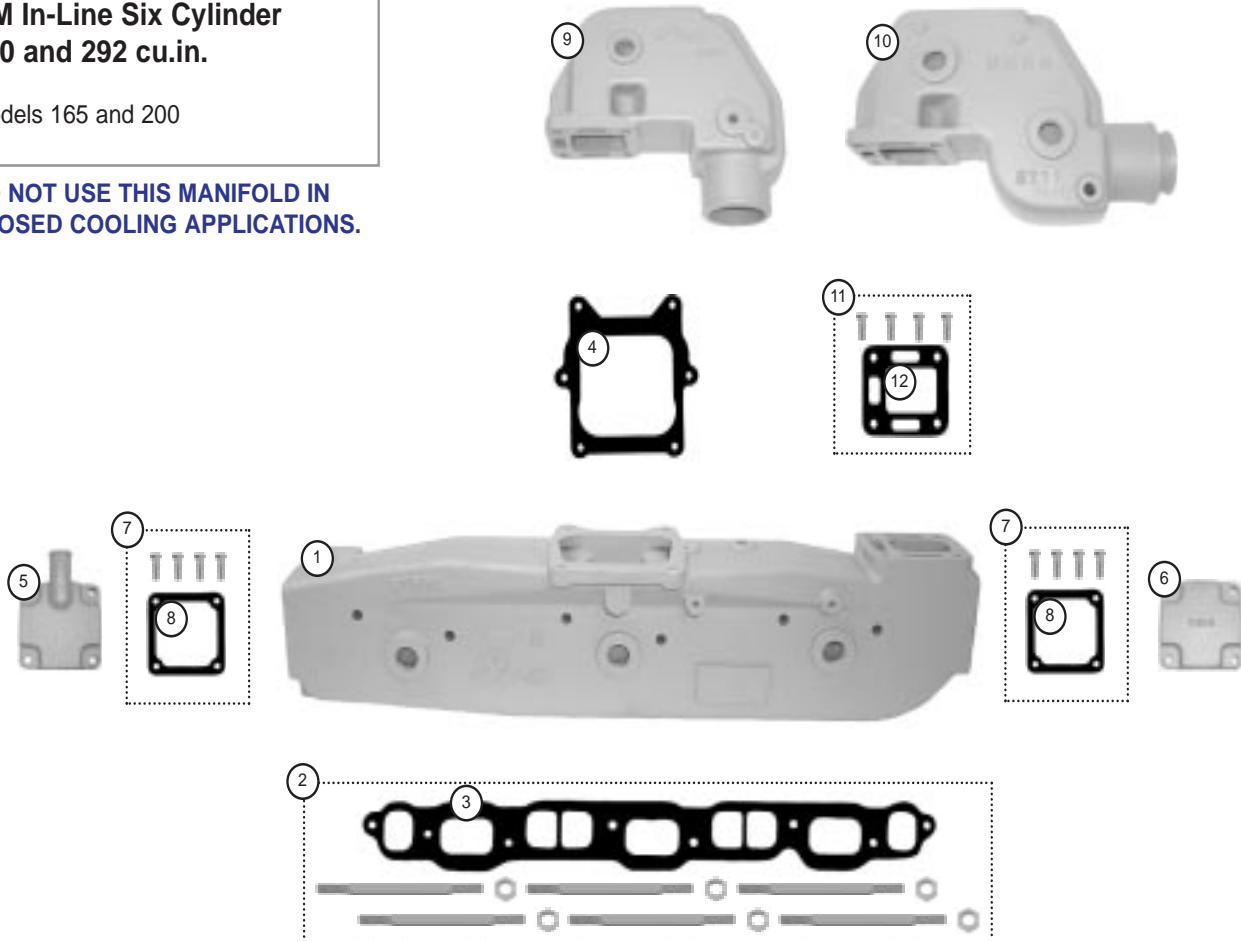
MERCURISER

**GM In-Line Six Cylinder
250 and 292 cu.in.**

Models 165 and 200

**DO NOT USE THIS MANIFOLD IN
CLOSED COOLING APPLICATIONS.**

Necessary pipe plugs are included.



1. **8759** **Manifold.** Fits 250 and 292 cu.in. GM in-line six cylinder engines. Replaces Mercruiser # 58759. Use mounting kit 8759-MK.
2. **8759-MK** **Mounting Kit,** manifold. Fits 8759 manifold. Includes CY6-GH gasket and mounting hardware.
3. **CY6-GH** **Gasket,** manifold to cylinder head. Included in 8759-MK mounting kit. Replaces Mercruiser # 27-46401.
4. **58764** **Gasket,** carburetor adapter to manifold. Replaces Mercruiser # 27-58764.
5. **60252** **Front Plate,** with water fitting. Replaces Mercruiser # 60252. Use mounting kit 60252-MK.
6. **54870** **Rear Plate,** without water fitting. Replaces Mercruiser # 54870. Use mounting kit 60252-MK.
7. **60252-MK** **Mounting Kit,** end plate. Fits 60252 and 54870 end plates. Includes 48043 gasket and mounting hardware.
8. **48043** **Gasket,** end plate. Fits 60252 and 54870 end plates. Included in 60252-MK mounting kit. Replaces Mercruiser # 27-48043.
9. **6351** **Riser,** 3" exhaust outlet, 90° down angle. For use in most inboard/outboard applications. Replaces Mercruiser #'s 76351, 60426 and 49964. Use mounting kit 6371-MK.
10. **6771** **Riser,** 3" exhaust outlet, 0° down angle. For use in most inboard applications. Replaces Mercruiser #'s 76771 and 60427. Use Mounting Kit 6371-MK.
11. **6371-MK** **Mounting Kit,** riser. Fits 6351 and 6771 risers. Includes 52076 gasket and mounting hardware.
12. **52076** **Gasket,** riser. Fits 6351 and 6771 risers. Included in 6371-MK. Replaces Mercruiser # 27-52076.



OEM Style Replacements for: Center Riser Style

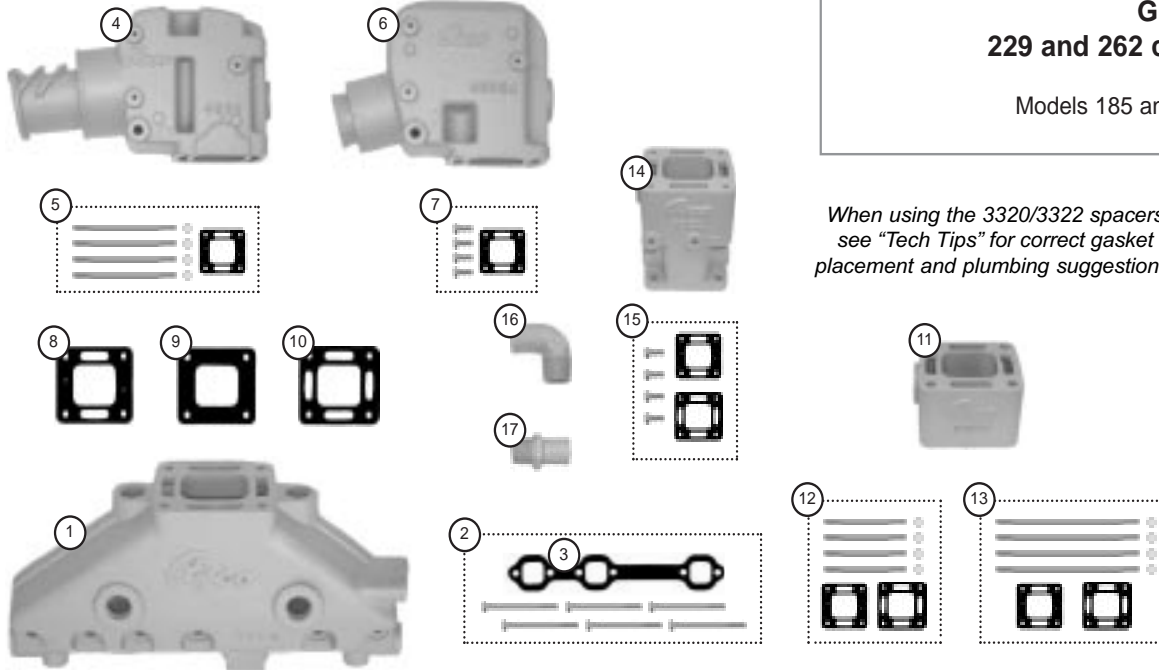
MERCURISER

GM V6
229 and 262 cu.in.

Models 185 and 205

Necessary pipe plugs are included.

When using the 3320/3322 spacers see "Tech Tips" for correct gasket placement and plumbing suggestions.



1. **9745** **Manifold.** Fits 229 and 262 cu.in. GM V6 engines. Replaces Mercruiser #'s 99745 and 99746. Fits both sides of engine. Use mounting kit 9745-MK.
2. **9745-MK** **Mounting Kit,** manifold. Fits 9745 manifold. Includes CS-GH gasket and mounting hardware.
3. **CS-GH** **Gasket,** manifold to cylinder head. Included in 9745-MK mounting kit. Replaces Mercruiser # 27-99757.
4. **4354** **Riser,** 4" exhaust outlet, 7° down angle. For late model inboard/outboard and inboards. Replaces Mercruiser # 44354, 807914 and 807988. Use mounting kit 4354-MK.
5. **4354-MK** **Mounting Kit,** riser. Fits 4354 riser. Includes 8503-GR gasket and mounting hardware.
6. **8503A** **Riser,** 3" exhaust outlet, 15° down angle. For early model inboard/outboards. Replaces Mercruiser #'s 98503 and 98504. Use mounting kit 8503A-MK.
7. **8503A-MK** **Mounting Kit,** riser. Fits 8503A riser. Includes 8503-GR gasket and mounting hardware.
8. **8503-GR** **Gasket, restrictor.** Fits center riser Mercruiser. Common use is on all raw water cooled motors. Restricts flow, creating water back pressure to keep manifold and/or spacer full. Replaces Mercruiser # 27-41813.
9. **8503-GB** **Gasket, blocked.** Fits center riser Mercruiser. For fresh water/closed cooling, gasket separates anti-freeze and raw water (no stainless plate required). Replaces Mercruiser # 27-41811.
10. **8503-GO** **Gasket, open.** Fits center riser Mercruiser. Common use is at base of spacer block along with 8503-GR at riser. Allows spacer to fill with water. Replaces Mercruiser # 27-87105.
11. **3320** **Spacer,** 3" center riser. Fits 9745 manifold. Replaces Mercruiser # 93320. Sold each. Use mounting kit 3320-MK with 8503A riser or use 3320-MK-X with 4354 riser.
12. **3320-MK** **Mounting Kit,** spacer. Fits 3320 spacer with 8503A riser. Includes 8503-GO and 8503-GR gaskets and mounting hardware to bolt 8503A riser and 3320 spacer to 9745 manifold.
13. **3320-MK-X** **Mounting Kit,** spacer. Fits 3320 spacer with 4354 riser. Includes 8503-GO and 8503-GR gaskets and mounting hardware to bolt 4354 riser and 3320 spacer to 9745 manifold.
14. **3322** **Spacer,** 6" center riser. Fits 9745 manifold. Replaces Mercruiser # 93322. Sold each. Use mounting kit 3322-MK to mount spacer to manifold. *Riser #'s 8503A or 4354 will require their own mounting kit.*
15. **3322-MK** **Mounting Kit,** spacer. Fits 3322 Spacer. Includes 8503-GO and 8503-GR gaskets and mounting hardware to bolt spacer to manifold. *Riser #'s 8503A or 4354 will require their own mounting kit.*
16. **F68C9** **Water Fitting,** 90° elbow. 3/4" MPT x 1" hose barb. Replaces Mercruiser # 22-36305.
17. **F68CS** **Water Fitting,** straight. 3/4" MPT x 1" hose barb. Replaces Mercruiser # 22-45084.



OEM Style Replacements for: **Log Style**

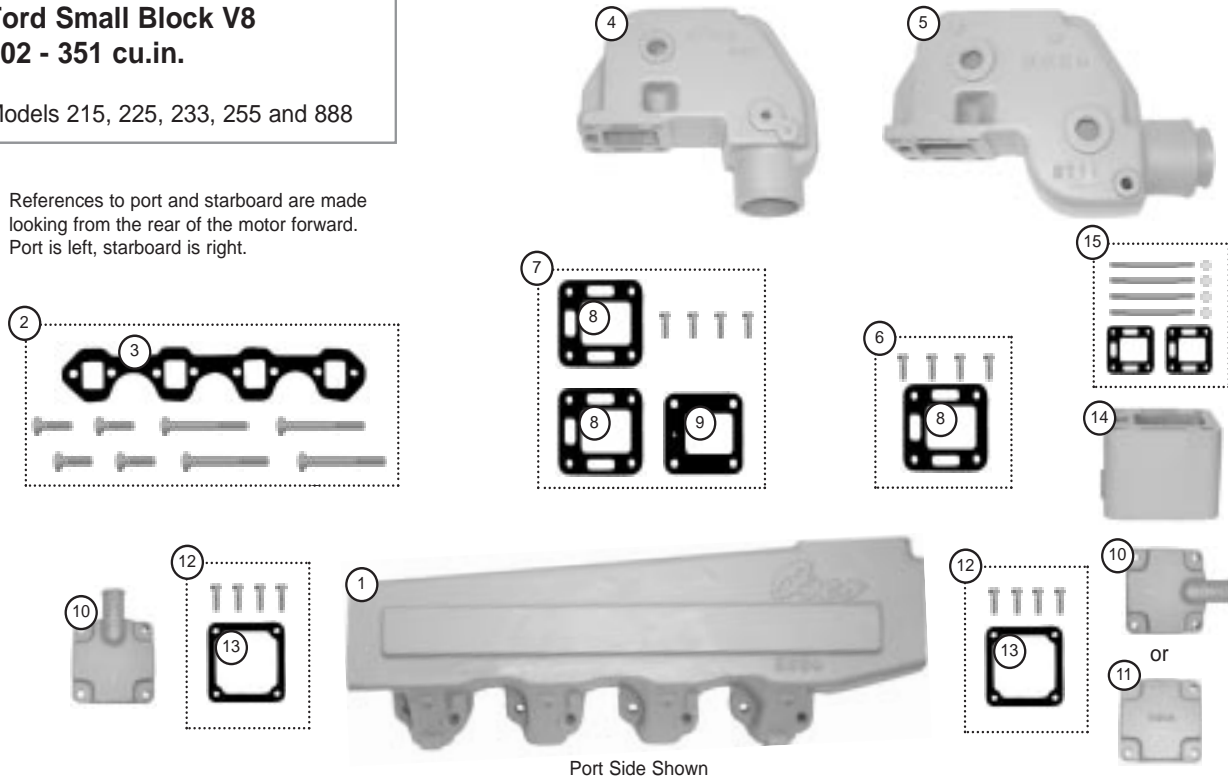
MERCURISER

**Ford Small Block V8
302 - 351 cu.in.**

Models 215, 225, 233, 255 and 888

Necessary pipe plugs are included.

References to port and starboard are made looking from the rear of the motor forward. Port is left, starboard is right.



Port Side Shown

- 1. **5604** **Manifold, port.** Log style manifold fits 302 - 351 cu.in. Ford small block V8 engines. Replaces Mercruiser #'s 54100 and 65604. Use mounting kit 560-MK.
- 1. **5603** **Manifold, starboard.** Log style manifold fits 302 and 351 cu.in. Ford small block V8 engines. Replaces Mercruiser #'s 54099 and 65603. Use mounting kit 560-MK.
- 2. **560-MK** **Mounting Kit, manifold.** Fits 5603 and 5604 manifolds. Includes FL-GH gasket and mounting hardware.
- 3. **FL-GH** **Gasket, manifold to cylinder head.** Included in 560-MK mounting kit. Replaces Mercruiser # 27-73866.
- 4. **6351** **Riser, 3" exhaust outlet, 90° down angle.** For use in most inboard/outboard applications. Replaces Mercruiser #'s 76351, 60426 and 49964. Use mounting kit 6371-MK.
- 5. **6771** **Riser, 3" exhaust outlet, 0° down angle.** For use in most inboard applications. Replaces Mercruiser #'s 76771 and 60427. Use mounting kit 6371-MK.
- 6. **6371-MK** **Mounting Kit, riser.** Fits 6351 and 6771 risers. Includes 52076 gasket and mounting hardware.
- 7. **6371-MK-SP** **Mounting Kit, riser.** Fits 6351 and 6771 risers. Includes 60207 stainless plate with weep hole, (2) 52076 gaskets and mounting hardware. *Not for fresh water/closed cooling systems.*
- 8. **52076** **Gasket, riser.** Fits 6351 and 6771 risers and 1851 spacer. Included in 6371-MK, 6371-MK-SP and 1851-MK mounting kits. Replaces Mercruiser # 27-52076.
- 9. **60207** **Stainless Plate, with weep hole** to remove air trapped in the manifold. Fits 6351 and 6771 risers. *Not for fresh water/closed cooling systems.* Replaces Mercruiser # 60207. Requires (2) 52076 gaskets, or order 6371-MK-SP.
- 10. **60252** **End Plate, with water fitting.** Replaces Mercruiser # 60252. Use mounting kit 60252-MK.
- 11. **54870** **Rear Plate, without water fitting.** Replaces Mercruiser # 54870. Use mounting kit 60252-MK.
- 12. **60252-MK** **Mounting Kit, end plate.** Fits 60252 and 54870 end plates. Includes 48043 gasket and mounting hardware.
- 13. **48043** **Gasket, end plate.** Fits 60252 and 54870 end plates. Included in 60252-MK mounting kit. Replaces Mercruiser # 27-48043.
- 14. **1851** **Spacer, 3" rear riser.** Fits 5603 and 5604 manifolds with 6351 or 6771 risers. Replaces Mercruiser # 61851. Use mounting kit 1851-MK.
- 15. **1851-MK** **Mounting Kit, spacer.** Attaches 6351 or 6771 riser and 1851 spacer to 5603/5604 manifolds. Includes (2) 52076 gaskets and mounting hardware.



Necessary pipe plugs are included.

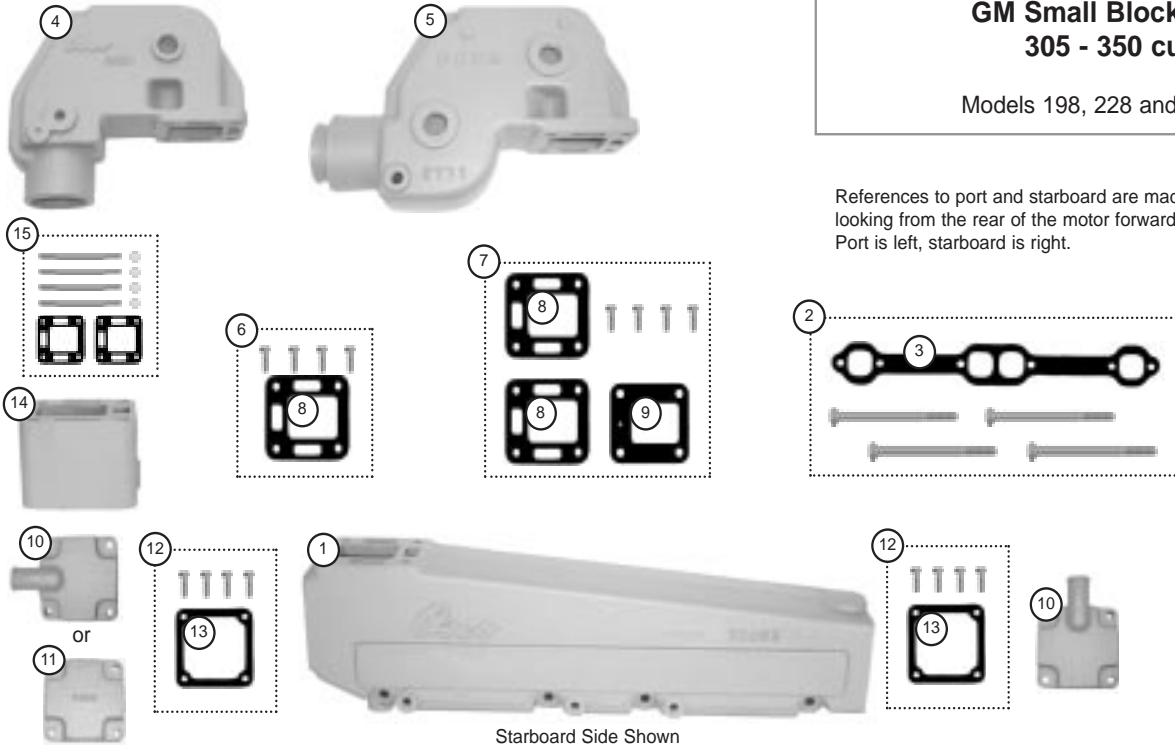
OEM Style Replacements for: Log Style

MERCURISER

**GM Small Block V8
305 - 350 cu.in.**

Models 198, 228 and 898

References to port and starboard are made looking from the rear of the motor forward. Port is left, starboard is right.



Starboard Side Shown

- 1. **7234B** **Manifold, port.** Log style manifold fits 305 - 350 cu.in. GM small block V8 engines. Replaces Mercruiser # 77234B. Use mounting kit 7214-MK.
- 1. **7235B** **Manifold, starboard.** Log style manifold fits 305 and 350 cu.in. GM small block V8 engines. Replaces Mercruiser # 77235B. Use mounting kit 7214-MK.
- 1. **7235B-A** **Manifold, starboard, V-Drive** applications where the alternator bracket is bolted to the starboard manifold. Use mounting kit 7214-MK.
- 2. **7214-MK** **Mounting Kit, manifold.** Fits 7234B and 7235B manifolds. Includes CV-GH gasket and mounting hardware.
- 3. **CV-GH** **Gasket, manifold to cylinder head.** Included in 7214-MK mounting kit. Replaces Mercruiser # 27-33395.
- 4. **6351** **Riser, 3" exhaust outlet, 90° down angle.** For use in most inboard/outboard applications. Replaces Mercruiser #'s 76351, 60426 and 49964. Use mounting kit 6371-MK.
- 5. **6771** **Riser, 3" exhaust outlet, 0° down angle.** For use in most inboard applications. Replaces Mercruiser #'s 76771 and 60427. Use mounting kit 6371-MK.
- 6. **6371-MK** **Mounting Kit, riser.** Fits 6351 and 6771 Risers. Includes 52076 gasket and mounting hardware.
- 7. **6371-MK-SP** **Mounting Kit, riser.** Fits 6351 and 6771 risers. Includes 60207 stainless plate with weep hole, (2) 52076 gaskets and mounting hardware. *Not for fresh water/closed cooling systems.*
- 8. **52076** **Gasket, riser.** Fits 6351 and 6771 risers and 1851 spacer. Included in 6371-MK, 6371-MK-SP and 1851-MK mounting kits. Replaces Mercruiser # 27-52076.
- 9. **60207** **Stainless Plate, with weep hole** to remove air trapped in the manifold. Fits 6351 and 6771 risers. *Not for fresh water/closed cooling systems.* Requires (2) of 52076 or order 6371-MK-SP.
- 10. **60252** **End Plate, with water fitting.** Replaces Mercruiser # 60252. Use mounting kit 60252-MK.
- 11. **54870** **Rear Plate, without water fitting.** Replaces Mercruiser # 54870. Use mounting kit 60252-MK.
- 12. **60252-MK** **Mounting Kit, end plate.** Fits 60252 & 54870 end plates. Includes 48043 gasket and mounting hardware.
- 13. **48043** **Gasket, end plate.** Fits 60252 and 54870 end plates. Included in 60252-MK mounting kit. Replaces Mercruiser # 27-48043.
- 14. **1851** **Spacer, 3" rear riser.** Fits 7234B and 7235B manifolds with 6351 or 6771 risers. Replaces Mercruiser # 61851. Use mounting kit 1851-MK.
- 15. **1851-MK** **Mounting Kit, spacer.** Attaches 6351 or 6771 risers and 1851 spacer to 7234B and 7235B manifolds. Includes (2) 52076 gaskets and mounting hardware.



OEM Style Replacements for: **Center Riser Style**

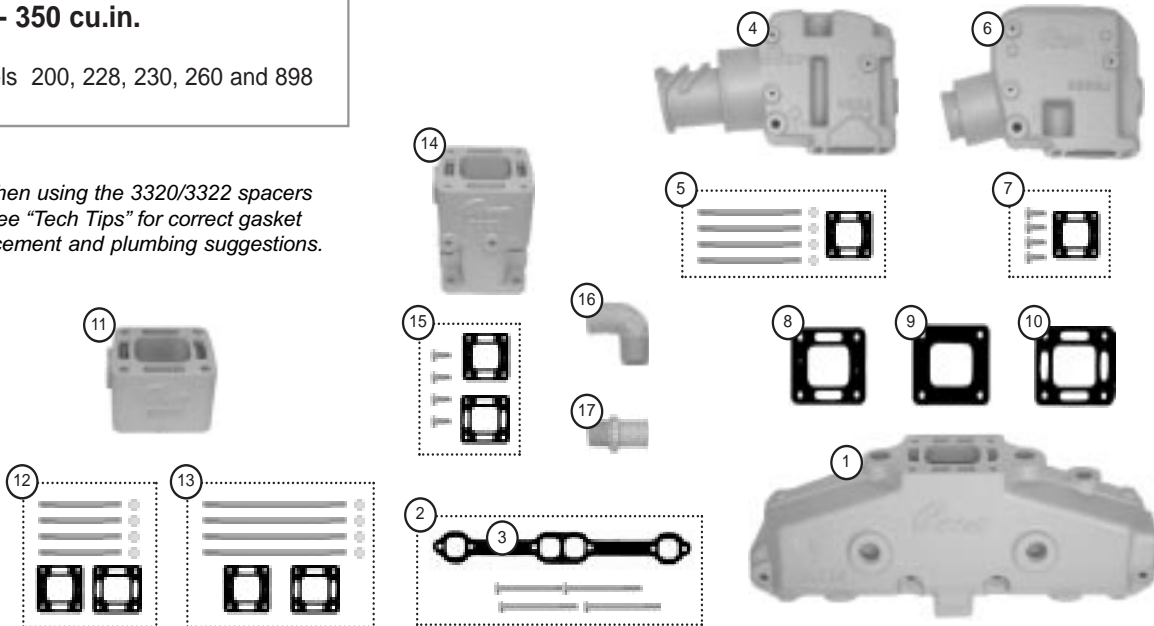
MERCURISER

GM Small Block V8
305 - 350 cu.in.

Models 200, 228, 230, 260 and 898

Necessary pipe plugs are included.

When using the 3320/3322 spacers see "Tech Tips" for correct gasket placement and plumbing suggestions.



1. **7114B2** **Manifold.** Fits 305 - 350 cu.in. GM small block V8 engines. Fits both sides of engine. Replaces Mercruiser #'s 87114 and 860246. *Updated to replace all small block Mercruiser center riser manifolds to date.* Use mounting kit 7214-MK.
2. **7214-MK** **Mounting Kit,** manifold. Fits 7114B2 manifold. Includes CV-GH gasket and mounting hardware.
3. **CV-GH** **Gasket,** manifold to cylinder head. Included in 7214-MK mounting kit. Replaces Mercruiser # 27-33395.
4. **4354** **Riser,** 4" exhaust outlet, 7° down angle, for late model inboard/outboard and inboards. Replaces Mercruiser # 44354, 807914 and 807988. Use mounting kit 4354-MK.
5. **4354-MK** **Mounting Kit,** riser. Fits 4354 riser. Includes 8503-GR gasket and mounting hardware.
6. **8503A** **Riser,** 3" exhaust outlet, 15° down angle, for early model inboard/outboards. Replaces Mercruiser #'s 98503 and 98504. Use mounting kit 8503A-MK.
7. **8503A-MK** **Mounting Kit,** riser. Fits 8503A riser. Includes 8503-GR gasket and mounting hardware.
8. **8503-GR** **Gasket, restrictor.** Fits center riser Mercruiser. Common use is on all raw water cooled motors. Restricts flow, creating water back pressure to keep manifold and/or spacer full. Replaces Mercruiser # 27-41813.
9. **8503-GB** **Gasket, blocked.** Fits center riser Mercruiser. For fresh water/closed cooling, gasket separates anti-freeze and raw water (no stainless plate required). Replaces Mercruiser # 27-41811.
10. **8503-GO** **Gasket, open.** Fits center riser Mercruiser. Common use is at base of spacer block along with 8503-GR at riser. Allows spacer to fill with water. Replaces Mercruiser # 27-87105.
11. **3320** **Spacer,** 3" center riser. Fits 7114B2 manifold. Replaces Mercruiser # 93320. Sold each. Use mounting kit 3320-MK with 8503A riser or use 3320-MK-X with 4354 riser.
12. **3320-MK** **Mounting Kit,** spacer. Fits 3320 spacer with 8503A riser. Includes 8503-GO and 8503-GR gaskets and mounting hardware to bolt 8503A riser and 3320 spacer to 7114B2 manifold.
13. **3320-MK-X** **Mounting Kit,** spacer. Fits 3320 spacer with 4354 riser. Includes 8503-GO and 8503-GR gaskets and mounting hardware to bolt 4354 riser and 3320 spacer to 7114B2 manifold.
14. **3322** **Spacer,** 6" center riser. Fits 7114B2 manifold. Replaces Mercruiser # 93322. Sold each. Use mounting kit 3322-MK to mount spacer to manifold. *Riser #'s 8503A or 4354 will require their own mounting kit.*
15. **3322-MK** **Mounting Kit,** spacer. Fits 3322 Spacer. Includes 8503-GO and 8503-GR gaskets and mounting hardware to bolt spacer to manifold. *Riser #'s 8503A or 4354 will require their own mounting kit.*
16. **F68C9** **Water Fitting,** 90° elbow. 3/4" MPT x 1" hose barb. Replaces Mercruiser # 22-36305.
17. **F68CS** **Water Fitting,** straight. 3/4" MPT x 1" hose barb. Replaces Mercruiser # 22-45084.



OEM Style Replacements for: **Center Riser Style**

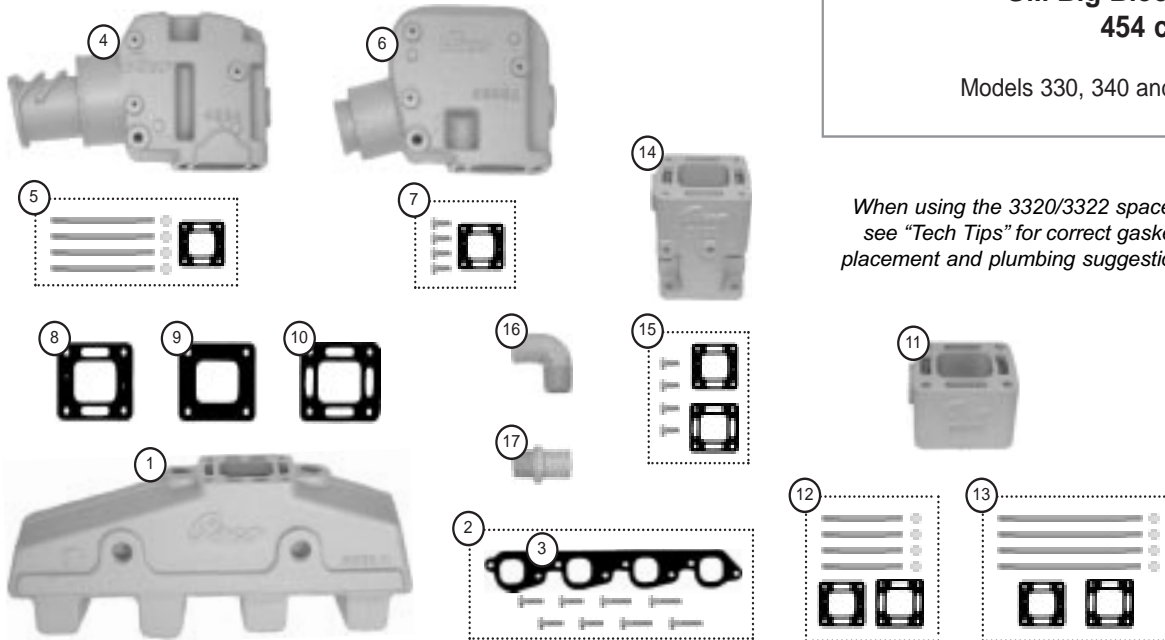
MERCUISER

**GM Big Block V8
454 cu.in.**

Models 330, 340 and 7.4L

Necessary pipe plugs are included.

When using the 3320/3322 spacers see "Tech Tips" for correct gasket placement and plumbing suggestions.



1. **9011** **Manifold.** Fits 454 cu.in. GM big block V8 engines. Fits both sides of engine. Replaces Mercruiser # 89011. Use mounting kit 9011-MK.
2. **9011-MK** **Mounting Kit,** manifold. Fits 9011 manifold. Includes CW-GH gasket and mounting hardware.
3. **CW-GH** **Gasket,** manifold to cylinder head. Included in 9011-MK mounting kit. Replaces Mercruiser # 27-46820.
4. **4354** **Riser,** 4" exhaust outlet, 7° down angle, for late model inboard/outboard and inboards. Replaces Mercruiser #'s 44354, 807914 and 807988. Use mounting kit 4354-MK.
5. **4354-MK** **Mounting Kit,** riser. Fits 4354 riser. Includes 8503-GR gasket and mounting hardware.
6. **8503A** **Riser,** 3" exhaust outlet, 15° down angle, for early model inboard/outboards. Replaces Mercruiser #'s 98503 and 98504. Use mounting kit 8503A-MK.
7. **8503A-MK** **Mounting Kit,** riser. Fits 8503A riser. Includes 8503-GR gasket and mounting hardware.
8. **8503-GR** **Gasket, restrictor.** Fits center riser Mercruiser. Common use is on all raw water cooled motors. Restricts flow, creating water back pressure to keep manifold and/or spacer full. Replaces Mercruiser # 27-41813.
9. **8503-GB** **Gasket, blocked.** Fits center riser Mercruiser. For fresh water/closed cooling, gasket separates anti-freeze and raw water (no stainless plate required). Replaces Mercruiser # 27-41811.
10. **8503-GO** **Gasket, open.** Fits center riser Mercruiser. Common use is at base of spacer block along with 8503-GR at riser. Allows spacer to fill with water. Replaces Mercruiser # 27-87105.
11. **3320** **Spacer,** 3" center riser. Fits 9011 manifold. Replaces Mercruiser # 93320. Sold each. Use mounting kit 3320-MK with 8503A riser or use 3320-MK-X with 4354 riser.
12. **3320-MK** **Mounting Kit,** spacer. Fits 3320 spacer with 8503A riser. Includes 8503-GO and 8503-GR gaskets and mounting hardware to bolt 8503A riser and 3320 spacer to 9011 manifold.
13. **3320-MK-X** **Mounting Kit,** spacer. Fits 3320 spacer with 4354 riser. Includes 8503-GO and 8503-GR gaskets and mounting hardware to bolt 4354 riser and 3320 spacer to 9011 manifold.
14. **3322** **Spacer,** 6" center riser. Fits 9011 manifold. Replaces Mercruiser # 93322. Sold each. Use mounting kit 3322-MK to mount spacer to manifold. *Riser #'s 8503A or 4354 will require their own mounting kit.*
15. **3322-MK** **Mounting Kit,** spacer. Fits 3322 Spacer. Includes 8503-GO and 8503-GR gaskets and mounting hardware to bolt spacer to manifold. *Riser #'s 8503A or 4354 will require their own mounting kit.*
16. **F68C9** **Water Fitting,** 90° elbow. 3/4" MPT x 1" hose barb. Replaces Mercruiser # 22-36305.
17. **F68CS** **Water Fitting,** straight. 3/4" MPT x 1" hose barb. Replaces Mercruiser # 22-45084.