



OEM Style Replacements for:

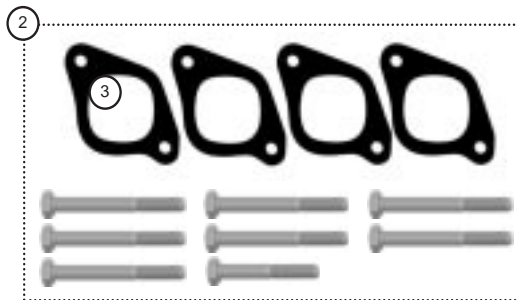
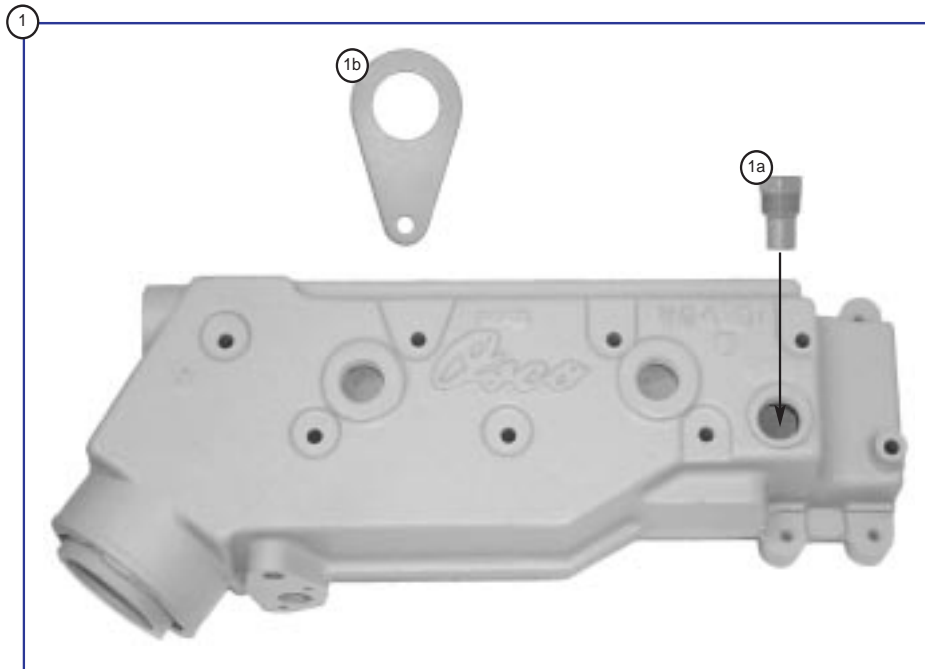
**VOLVO**

**Volvo Four Cylinder  
 B20 2.3 and 2.5 liter**

Model #'s AQ 120, 125, 131, 140  
 145, and 151. BB 140, 145, 230 and 250

Necessary pipe plugs are included.

OSCO has improved the original design of the VO418 to allow additional cooling water to flow through the top of the manifold, and has included a zinc pencil to help prevent electrolysis.



- 1. **VO418\*** **Manifold.** Fits 2.3 and 2.5 liter Volvo four cylinder. Replaces Volvo #'s 855387-7 and 834438-4. Includes items 1a and 1b. Use mounting kit VO-MK.
- 1a. **VO-ZP\*** **Zinc Pencil.** Included with the manifold. Used to help prevent electrolysis.
- 1b. **LR-V\*** **Lifting Ring.** Because of OSCO's improved cooling on the VO418 manifold, a new lifting ring is provided.
- 2. **VO-MK** **Mounting Kit, manifold.** Fits VO418. Includes VO-GH and mounting hardware.
- 3. **VO-GH** **Gasket, manifold to cylinder head.** Four pieces. Included in VO-MK.

\*Included with the manifold.



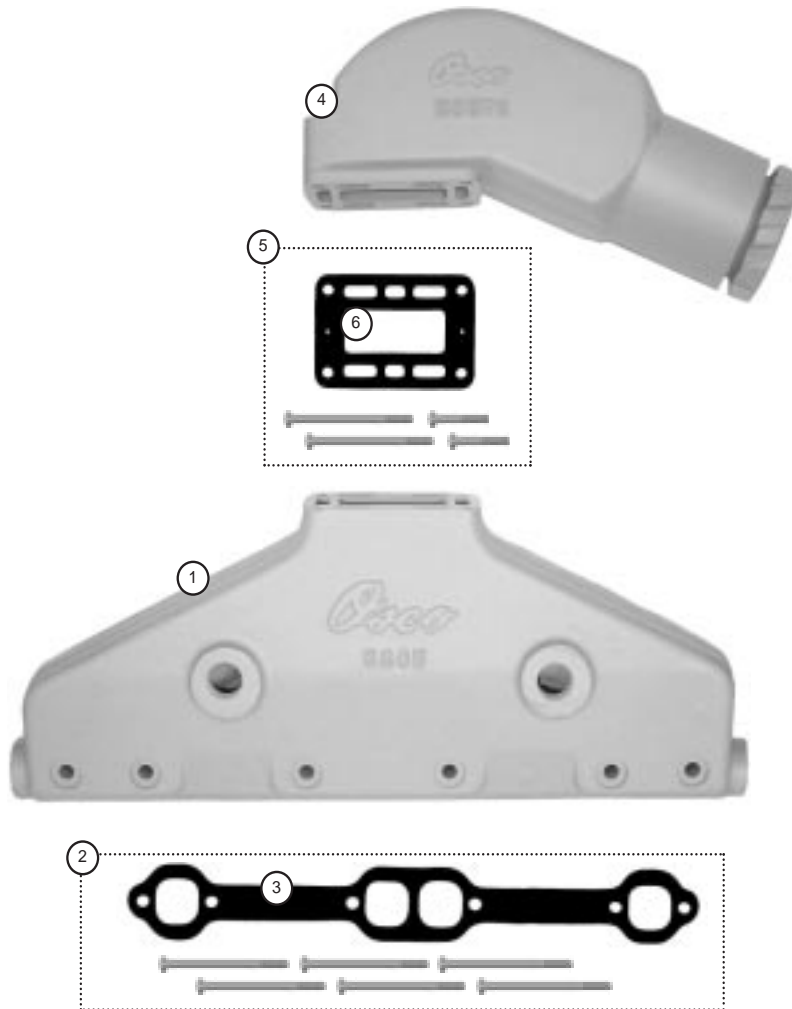
OEM Style Replacements for: **Center Riser Style**

Necessary pipe plugs are included.

**VOLVO**

**GM Small Block V8  
305 - 350 cu.in.**

Model #'s AQ and BB 200, 205,  
211, 231, 225,260, 271, 290, 311,  
500, 501, 570, 571 and 572



1. **5805** **Manifold.** Fits 305 - 350 cu.in. GM small block V8 engines. Replaces Volvo #'s 835804, 835805, 835806 and 856883. Fits both sides of engine. Use mounting kit 5805-MK.
2. **5805-MK** **Mounting Kit,** manifold. Fits 5805. Includes CV-GH gasket and mounting hardware.
3. **CV-GH** **Gasket,** manifold to cylinder head. Included in 5805-MK.
4. **56879** **Riser,** 95mm (3<sup>3</sup>/<sub>4</sub>" ) exhaust outlet, 30° down angle. Replaces Volvo #'s 855380, 855384, 856891, and 856879. Use mounting kit 56879-MK.
5. **56879-MK** **Mounting Kit,** riser. Includes 35908 gasket and mounting hardware.
6. **35908** **Gasket,** riser to manifold. Included in 56879-MK.

**Phone: 800-225-0004** ☎ **Fax: 908-486-1056**  
**e-mail: sales@sealandpower.com**